

INFORMAZIONI TECNICHE

TECHNICAL INFORMATION

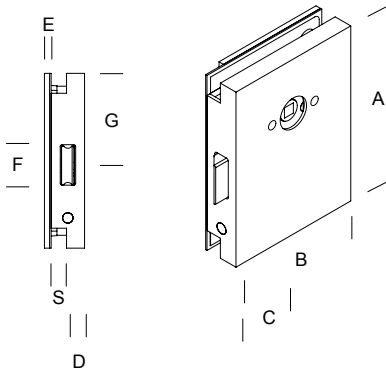
INFORMATIONS TECHNIQUES

TECHNISCHE INFORMATIE

INFORMACIÓN TÉCNICA

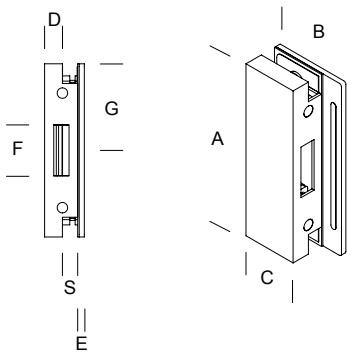
EUROPEAN FORMAT

PLACCA CON SERRATURA - PLATE WITH LOCK - PLAQUE AVEC SERRURE - TÜRSCHILD MIT SCHLIEßSYSTEM - SCHILD MET SLOT



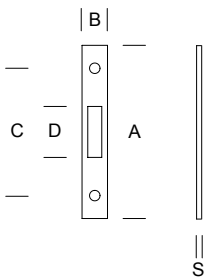
| ART. | A | B | C | D | E | F | G | S |
|------------------------------|--------|--------|---------|-------|------|-------|-------|-------|
| HGL.LCK.xx08 . xx . x | 136 mm | 103 mm | 51,5 mm | 14 mm | 5 mm | 32 mm | 71 mm | 8 mm |
| HGL.LCK.xx10 . xx . x | 136 mm | 103 mm | 51,5 mm | 14 mm | 5 mm | 32 mm | 71 mm | 10 mm |
| HGL.LCK.xx12 . xx . x | 136 mm | 103 mm | 51,5 mm | 14 mm | 5 mm | 32 mm | 71 mm | 12 mm |

INCONTRO PER VETRO - STRIKE BOX - GÂCHE POUR VERRE - VERBINDUNG GLAS/GLAS - SLUITPLAAT VOOR GLAS



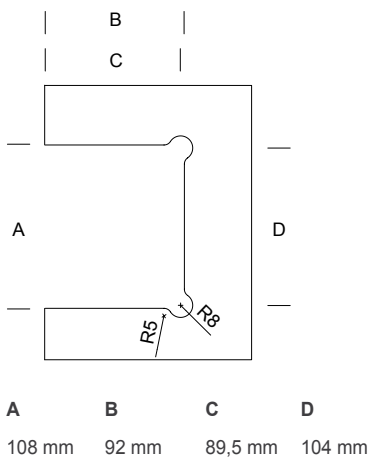
| ART. | A | B | C | D | E | F | G | S |
|-------------------------|--------|-------|-------|-------|------|-------|-------|-------|
| HGL.STK.0008. xx | 136 mm | 60 mm | 43 mm | 14 mm | 5 mm | 40 mm | 68 mm | 8 mm |
| HGL.STK.0010. xx | 136 mm | 60 mm | 43 mm | 14 mm | 5 mm | 40 mm | 68 mm | 10 mm |
| HGL.STK.0012. xx | 136 mm | 60 mm | 43 mm | 14 mm | 5 mm | 40 mm | 68 mm | 12 mm |

INCONTRO PER PROFILO - STRIKE PLATE - GÂCHE POUR PROFIL - PROFILVERBINDUNG - SLUITPLAAT VOOR PROFIEL



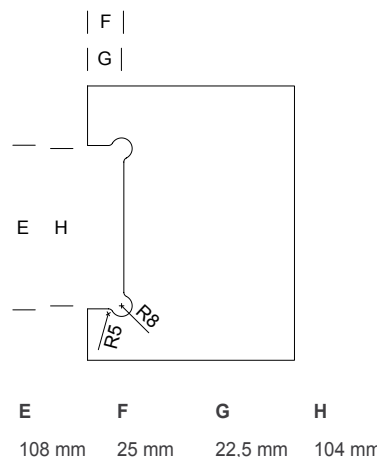
| ART. | A | B | C | D | S |
|-------------------------|--------|-------|--------|-------|------|
| HGL.STK.0001. xx | 136 mm | 20 mm | 100 mm | 40 mm | 2 mm |

FRESATURA SU VETRO PER SERRATURA
GLASS CUT TEMPLATE LOCK
GARNITURE SUR VERRE POUR SERRURE
GLASFRÄSUNG ZUR SCHLÖßAUFNAHME
UITSPARING IN GLAS VOOR SLOT



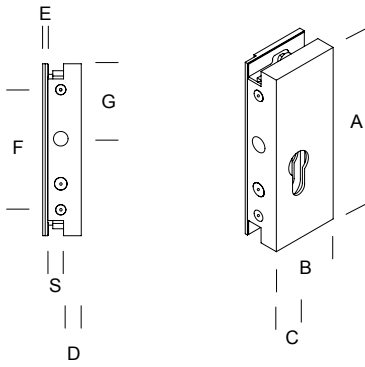
| A | B | C | D |
|--------|-------|---------|--------|
| 108 mm | 92 mm | 89,5 mm | 104 mm |

FRESATURA SU VETRO PER INCONTRO
GLASS CUT TEMPLATE STRIKE BOX
GARNITURE SUR VERRE POUR GÂCHE
GLASFRÄSUNG ZUKM VERBINDEN
UITSPARING IN GLAS VOOR SLUITPLAAT



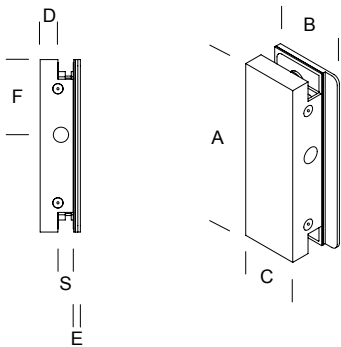
| E | F | G | H |
|--------|-------|---------|--------|
| 108 mm | 25 mm | 22,5 mm | 104 mm |

PLACCA CON SERRATURA SENZA MANIGLIA - PLATE WITH LOCK WITHOUT LEVER HANDLE - PLAQUE AVEC SERRURE SANS POIGNÉE - TÜRSCHILD MIT SCHLISSSYSTEM OHNE TÜRDRÜCKER - SCHILD MET SLOT ZON DER KRUK



| ART. | ◆ | A | B | C | D | E | F | G | S |
|---------------|--------|--------|-------|-------|-------|------|-------|-------|-------|
| HGL.LCK.SY10. | xx . x | 136 mm | 52 mm | 20 mm | 14 mm | 4 mm | 95 mm | 59 mm | 10 mm |
| HGL.LCK.SY12. | xx . x | 136 mm | 52 mm | 20 mm | 14 mm | 4 mm | 95 mm | 59 mm | 12 mm |

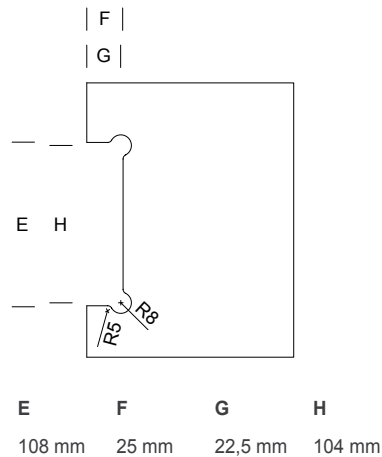
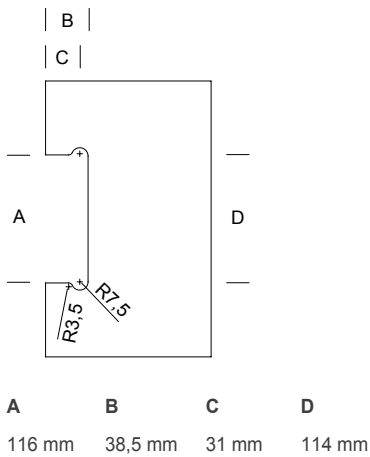
INCONTRO PER VETRO - STRIKE BOX - GÂCHE POUR VERRE - VERBINDUNG GLAS/GLAS - SLUITPLAAT VOOR GLAS



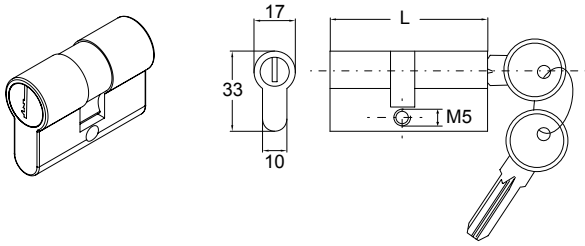
| ART. | ◆ | A | B | C | D | E | F | S |
|---------------|--------|--------|-------|-------|-------|------|-------|-------|
| HGL.STK.SY10. | xx . x | 136 mm | 54 mm | 43 mm | 14 mm | 5 mm | 59 mm | 10 mm |
| HGL.STK.SY12. | xx . x | 136 mm | 54 mm | 43 mm | 14 mm | 5 mm | 59 mm | 12 mm |

FRESATURA SU VETRO PER SERRATURA SENZA MANIGLIA
GLASS CUT TEMPLATE LOCK WITHOUT LEVER HANDLE
GARNITURE SUR VERRE POUR SERRURE SANS POIGNÉE
GLASFRÄSUNG ZUR SCHLOßAUFNAHME OHNE TÜRDRÜCKER
UITSPARING IN GLAS VOOR SLOT ZON DER KRUK

FRESATURA SU VETRO PER INCONTRO
GLASS CUT TEMPLATE STRIKE BOX
GARNITURE SUR VERRE POUR GÂCHE
GLASFRÄSUNG ZUM VERBINDEN
UITSPARING IN GLAS VOOR SLUITPLAAT

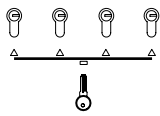


**CILINDRO A PROFILO EUROPEO STANDARD - STADARD EURO PROFILE CYLINDER - CYINDRE AVEC PROFIL EUROPÉEN STANDARD SANDARD
EUROPÄISCHEN PROFILZYLINDER - CYLINDER MET STANDAARD EUROPROFIEL**

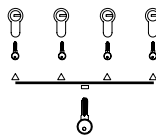


| ART. | L | |
|------------------------|-------|--|
| HGL.CIL.0000.00 | 45 mm | Standard |
| HGL.CIL.000Y.00 | 45 mm | Impianti Speciali Master keying Organigramme Master-schliessenanlagen Sluitplannen |

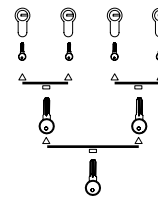
**IMPIANTI SPECIALI SU RICHIESTA - MASTER KEYING ON REQUEST - ORGANIGRAMME SUR DEMANDE - AUF ANFRANGE KÖNNEN MASTER-SCHLIESSANLAGEN
GEMÄSS KA-MK-GMK SYSTEMEN ANGFERTIGT WERDEN - SPECIALE SLUITPLANNEN OP AANVRAAG**



ART. HGL.0KA.0000.00
3 chiavi per cil.
3 keys for each cyl.
3 clés pour chaque cylindre
3 Schlüssels für jeden Zylinder
3 sleutels per cylinder



ART. HGL.0MK.0000.00
3 chiavi per cil.
3 keys for each cyl.
3 clés pour chaque cylindre
3 Schlüssels für jeden Zylinder
3 sleutels per cylinder

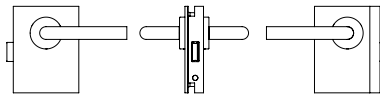


ART. HGL.GMK.0000.00
3 chiavi per cil.
3 keys for each cyl.
3 clés pour chaque cylindre
3 Schlüssels für jeden Zylinder
3 sleutels per cylinder

FUNZIONE - FUNCTION - FONCTION - FUNKTION - FUNCTIE

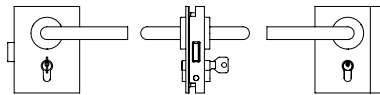
PASSAGE

senza chiave - senza pomolo
no key - no thumb turn
sans clé - sans verrou
ohne Schlüssel - ohne Knopf
zonder sleutel - zonder deurknop



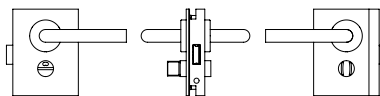
SECURITY

chiave - chiave
key - key (profile cylinder)
Clé - Clé
Schlüssel - Schlüssel
Sleutel - Sleutel



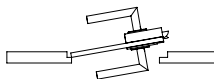
PRIVACY

pomolo - indicatore libero/occupato
thumb turn - occupancy indicator
verrou - libre/occupé
mit Knopf - mit frei/besetz Türverriegelung
met deurknop - met vergrendelingen

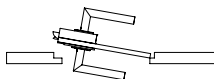


VERSO DI APERTURA - OPENING DIRECTION - SENS D'OUVERTURE - OFFNUNGSRICHTUNG - OPENINGSRICHTING (DIN 107)

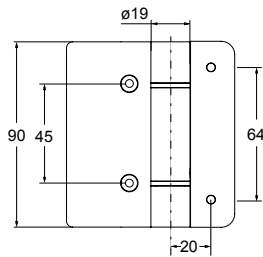
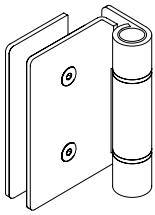
.1 DESTRO
RIGHT
DROITE
RECHTS
RECHTS



.2 SINISTRO
LEFT
GAUCHE
LINKS
LINKS



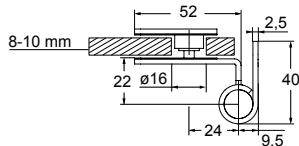
CERNIERA PER PORTA IN VETRO - HINGE FOR GLASS DOOR - CHARNIERE POUR PORTE EN VERRE - TÜRBAND FÜR GLASTÜREN - SCHARNIER VOOR GLAZEN DEUREN



ART. HGL.501.0000. xx

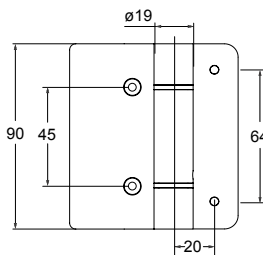
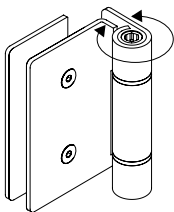
Ambidestra
Ambidextrous
Ambidextre
Beidhändig
Ambidextrous

Portata di 3 cerniere = 44 Kg
Max load for 3 hinges = 44 Kg
Chargement pour 3 charnières=44Kg
Tragfähigkeit für 3 Türbänder=44Kg
Belasting voor 3 Scharnieren=44Kg



Guarnizione di protezione in dotazione
Seals for glass protection included
Joints de protection en verre inclus
Dichtungen für Glasschutz enthalten
Afdichtingen voor bescherming van glas inbegrepen

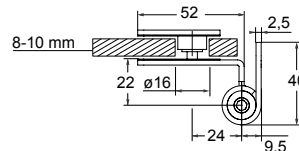
CERNIERA AUTOCHIUDENTE REGOLABILE PER PORTA IN VETRO - ADJUSTABLE SELF CLOSING HINGE FOR GLASS DOOR - CHARNIERE A FERMETURE AUTOMATIQUE REGLABLE POUR PORTE EN VERRE - TÜRBAND SELBSTSCHLIESSEND REGULIERBAR FÜR GLASTÜREN- SCHARNIER VOOR AUTOMATISCH SLUITENDE VOOR GLAZEN DEUREN



ART. HGL.502.0000.xx

Ambidestra
Ambidextrous
Ambidextre
Beidhändig
Ambidextrous

Portata di 3 cerniere = 44 Kg
Max load for 3 hinges = 44 Kg
Chargement pour 3 charnières=44Kg
Tragfähigkeit für 3 Türbänder=44Kg
Belasting voor 3 Scharnieren=44Kg



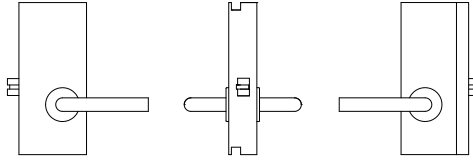
Guarnizione di protezione in dotazione
Seals for glass protection included
Joints de protection en verre inclus
Dichtungen für Glasschutz enthalten
Afdichtingen voor bescherming van glas inbegrepen

US FORMAT

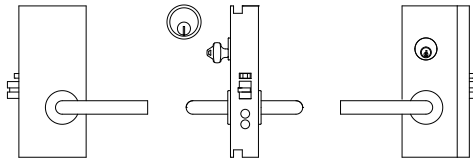
**PROGRAMMA H-GLASS HGU
LOCKSETS FOR FRAMELESS GLASS DOOR**

**LOCKS FUNCTION (according to ANSI)
FUNZIONE SERRATURA**

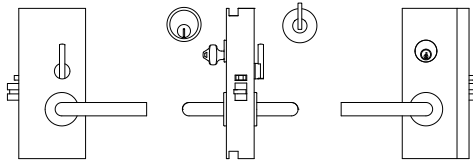
PASSAGE
ANSI F 01
no key - no thumbturn
senza chiave - senza pomolo



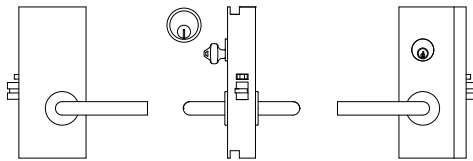
OFFICE / CORRIDOR
ANSI F 04
key - toggle - security egress
chiave - selettore - rilascio di emergenza



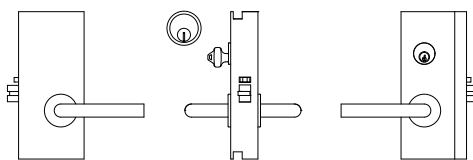
OFFICE / ENTRY
ANSI F 04 + F 13
key - thumbturn - security egress
chiave - pomolo - rilascio di emergenza



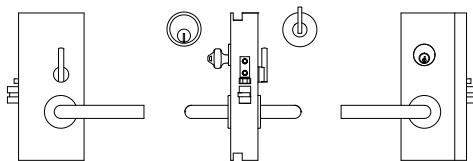
CLASSROOM
ANSI F 05
key - security egress
chiave - rilascio di emergenza



STOREROOM
ANSI F 07
key (outside lever inoperative) - security egress
chiave (maniglia esterna non operante) -
rilascio di emergenza



DORMITORY
ANSI F 13
key - thumbturn - deadbolt - security egress
chiave - pomolo - catenaccio - rilascio di emergenza



PRIVACY
ANSI F 19
thumbturn - snib indicator - deadbolt - security egress
pomolo - segnalatore libero/occupato - catenaccio -
rilascio di emergenza

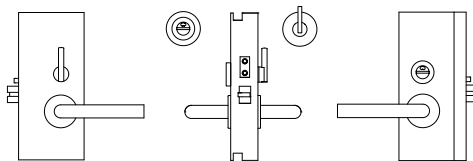
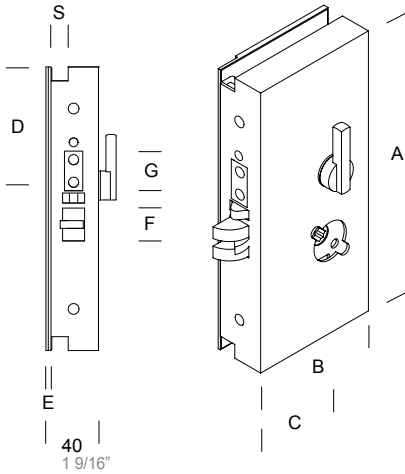


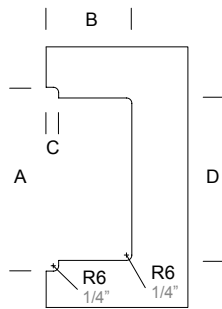
PLATE WITH LOCK - PLACCA CON SERRATURA



| ART. | ◆ | A | B | C | D | E | F | G | S |
|---------------------|---|--------------------|--------------|---------------------|-------------------|---------------|------------------|---------------------|-----------------|
| HGU.LCK.xx09 . xx x | | 225 mm 8 27/32" | 100 mm 4" | 64,5 mm 2 35/64" | 94 mm 3 45/64" | 4 mm 5/32" | 26 mm 1 1/32" | 31,5 mm 1 15/64" | 9 mm 3/8" |
| HGU.LCK.xx10 . xx x | | 225 mm 8 27/32" | 100 mm 4" | 64,5 mm 2 35/64" | 94 mm 3 45/64" | 4 mm 5/32" | 26 mm 1 1/32" | 31,5 mm 1 15/64" | 10 mm 25/64" |
| HGU.LCK.xx12 . xx x | | 225 mm 8 27/32" | 100 mm 4" | 64,5 mm 2 35/64" | 94 mm 3 45/64" | 4 mm 5/32" | 26 mm 1 1/32" | 31,5 mm 1 15/64" | 12 mm 15/32" |
| HGU.LCK.xx13 . xx x | | 225 mm 8 27/32" | 100 mm 4" | 64,5 mm 2 35/64" | 94 mm 3 45/64" | 4 mm 5/32" | 26 mm 1 1/32" | 31,5 mm 1 15/64" | 12,7 mm 1/2" |

- ◆
- . 1 LEFT HAND (LH)
- . 2 RIGHT HAND (RH)
- . 3 LEFT HAND REVERSE (LHR)
- . 4 RIGHT HAND REVERSE (RHR)

GLASS CUT TEMPLATE LOCK
FRESATURA SU VETRO PER SERRATURA



| A | B | C | D |
|------------------|-------------------|----------------|--------------------|
| 206 mm 8 1/8" | 94 mm 3 45/64" | 14 mm 9/16" | 182 mm 7 11/64" |

OPENING DIRECTION - VERSO DI APERTURA (according to North American standard)

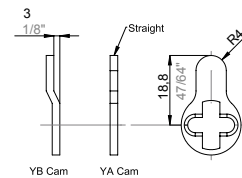


MORTISE CYLINDER

- CIL.MOR.0001. 44**
MORTISE CYLINDER CONVENTIONAL BATON
- CIL.HOU.ML01. 44**
MORTISE HOUSING FSIC (LFIC) SCHLAGE
- CIL.HOU.MS01. 44**
MORTISE HOUSING SFIC SCHLAGE

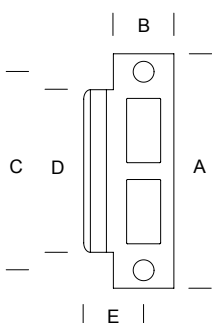


CILINDRO CAMA
CYLINDER CAMS



- CIL.MOR.9999. 00**
BRAND OF COMPATIBLE MORTISE CYLINDER:
ARROW - CORBIN RUSSWIN - KABAILCO - MEDECO - SCHLAGE - SARGENT - YALE - BEST

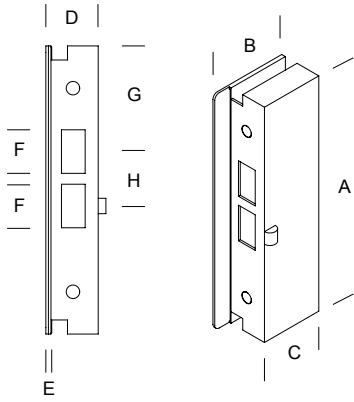
STRIKE PLATE - INCONTRO PER PROFILO



| ART. | A | B | C | D | E |
|--------------------|------------------|-----------------|------------------|-----------------|-----------------|
| HGU.STK.0001. xx * | 124 mm 4 7/8" | 32 mm 1 1/4" | 105 mm 4 1/8" | 86 mm 3 3/8" | 32 mm 1 1/4" |

* PROVIDED WITH THE LOCK
IN DOTAZIONE CON SERRATURA

STRIKE BOX - INCONTRO PER VETRO

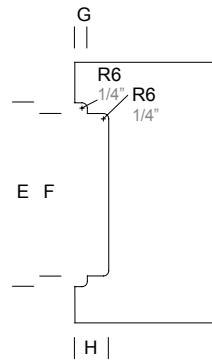


| ART. | ◆ | A | B | C | D | E | F | G | H |
|---------------|------|--------------------|-------------|-------------------|------------------|---------------|-------------------|-------------------|---------------------|
| HGU.STK.0009. | xx x | 225 mm 8 27/32" | 76 mm 3" | 60 mm 2 23/64" | 40 mm 1 9/16" | 4 mm 5/32" | 34 mm 1 11/32" | 82,5 mm 3 1/4" | 42,5 mm 1 43/64" |
| HGU.STK.0010. | xx x | 225 mm 8 27/32" | 76 mm 3" | 60 mm 2 23/64" | 40 mm 1 9/16" | 4 mm 5/32" | 34 mm 1 11/32" | 82,5 mm 3 1/4" | 42,5 mm 1 43/64" |
| HGU.STK.0012. | xx x | 225 mm 8 27/32" | 76 mm 3" | 60 mm 2 23/64" | 40 mm 1 9/16" | 4 mm 5/32" | 34 mm 1 11/32" | 82,5 mm 3 1/4" | 42,5 mm 1 43/64" |
| HGU.STK.0013. | xx x | 225 mm 8 27/32" | 76 mm 3" | 60 mm 2 23/64" | 40 mm 1 9/16" | 4 mm 5/32" | 34 mm 1 11/32" | 82,5 mm 3 1/4" | 42,5 mm 1 43/64" |

◆
. 2 RH / LHR

◆
. 1 LH / RHR
. 2 RH / LHR

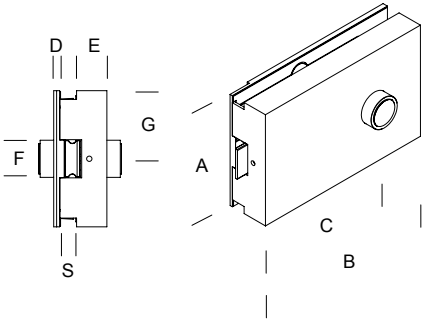
GLASS CUT TEMPLATE STRIKE BOX
FRESATURA SU VETRO PER INCONTRO



| E | F | G | H |
|------------------|--------------------|----------------|-----------------|
| 206 mm 8 1/8" | 182 mm 7 11/64" | 14 mm 9/16" | 38 mm 1 1/2" |

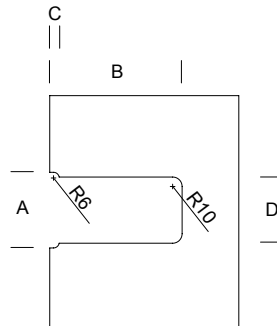
**PROGRAMMA H-GLASS HGO
LOCKSETS FOR FRAMELESS GLASS DOOR**

PLACCA CON SERRATURA - PLATE WITH LOCK



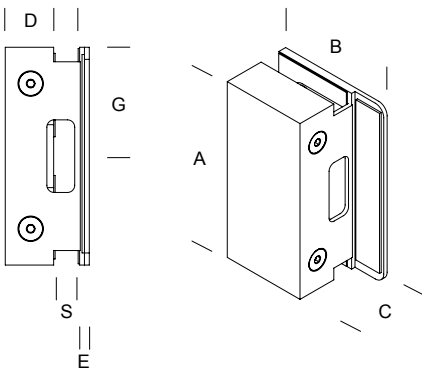
| A | B | C | D | E | F | G | F | S |
|-------------------|--------------------|-------------------|---------------|-----------------|---------------|-------------------|------------------|-----------------|
| 90 mm 3 35/64" | 145 mm 5 11/16" | 102 mm 4" 1/64 | 4 mm 5/32" | 20 mm 25/32" | 2 mm 5/64" | 45 mm 1 25/32" | Ø 24,5 63/64" | 10 mm 25/64" |
| 90 mm 3 35/64" | 145 mm 5 11/16" | 102 mm 4" 1/64 | 4 mm 5/32" | 18 mm 45/64" | 2 mm 5/64" | 45 mm 1 25/32" | Ø 24,5 63/64" | 12 mm 15/32" |

**FRESATURA SU VETRO PER SERRATURA
GLASS CUT TEMPLATE LOCK**



| A | B | C | D |
|------------------|------------------|-----------------|-----------------|
| 80 mm 3 5/32" | 140 mm 5 1/2" | 10 mm 25/64" | 70 mm 2 3/4" |

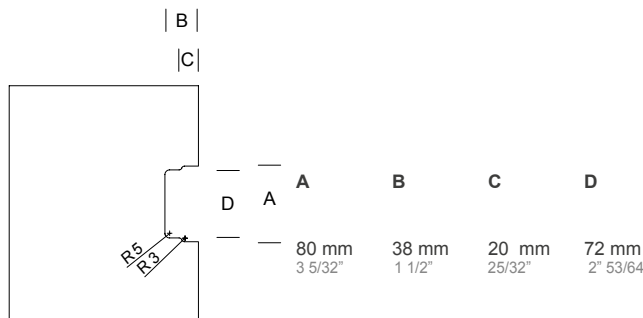
INCONTRO PER VETRO - STRIKE BOX



| ART | A | B | C | D | E | G | S |
|------------------|-------------------|-------------------|-----------------|-----------------|---------------|-------------------|-----------------|
| HGO.STK.0010. xx | 90 mm 3 35/64" | 60 mm 2 23/64" | 35 mm 1 3/8" | 20 mm 25/32" | 4 mm 5/32" | 45 mm 1 25/32" | 10 mm 25/64" |
| HGO.STK.0012. xx | 90 mm 3 35/64" | 60 mm 2 23/64" | 35 mm 1 3/8" | 18 mm 45/64" | 4 mm 5/32" | 45 mm 1 25/32" | 12 mm 15/32" |

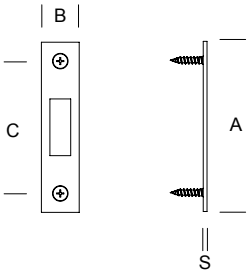
Incontro per Vetro Non Incluso
Strike Box Not Included

**FRESATURA SU VETRO PER INCONTRO
GLASS CUT TEMPLATE STRIKE BOX**



| A | B | C | D |
|------------------|-----------------|-----------------|-------------------|
| 80 mm 3 5/32" | 38 mm 1 1/2" | 20 mm 25/32" | 72 mm 2" 53/64 |

INCONTRO PER PROFILO - STRIKE PLATE

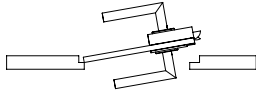


| ART | A | B | C | S |
|------------------|-------------------|-----------------|-----------------|------------|
| HGO.STK.0001. xx | 90 mm 3 35/64" | 20 mm 25/32" | 70 mm 2 3/4" | 2 5/64" |

Incontro per Profilo Non Incluso
Strike Plate Not Included

VERSO DI APERTURA (DIN 107)
OPENING DIRECTION (DIN 107)

.1 DESTRO
RIGHT



.2 SINISTRO
LEFT

