












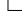








SINGLE-MOTION  
UNLATCHING DOOR PULL

SINGLE - MOTION  
UNLATCHING DOOR PULL



| CODE   | MATERIAL                        | FINISH  | LRV                   | .XX  | * indicative colors   |
|--------|---------------------------------|---|-----------------------|--|---|
| KLO.SL | Pull:                           | Standard:   |                       |  |   |
|        | <b>STAINLESS STEEL</b>          | <b>SATIN</b>  | LRV 53                | <b>.44</b>   |    |
|        | <b>AISI 316L</b>                | <b>BRIGHT</b>   | LRV 70                | <b>.43</b>   |    |
|        |                                 | Stainless Steel Bright finish has a Satin inner profile |                       |  |   |
|        |                                 | <b>POWDER-COATED</b>                                    | Black Ral 9005 Matt   | <b>.40</b>   |    |
|        |                                 |   | Black Ral 9005 Glossy | <b>.26</b>   |    |
|        |                                 |   | White Ral 9010        | <b>.31</b>   |    |
|        |                                 |   | Grey                  | <b>.32</b>   |    |
|        |                                 |   | Champagne             | <b>.38</b>   |    |
|        |                                 |   | Bronze                | <b>.39</b>   |    |
|        |                                 |   | Architectural Bronze  | <b>.36</b>   |    |
|        |                                 |   | Medium Bronze         | <b>.56</b>   |    |
|        |                                 |   | Silver                | <b>.41</b>   |    |
|        |                                 |   | Gold                  | <b>.55</b>   |    |
|        |                                 | Push Coupler:   |                       |  |   |
|        | <b>ECONYL®</b>                  | Black   |                       |  |    |
|        | <b>REGENERATED NYLON</b>        | White   |                       |  |    |
|        | Grips:                          |   |                       |  |   |
|        | <b>POWDER COATED ALUMINUM</b>   | Black Ral 9005 Matt                                     | <b>.40</b>            |   |   |
|        |                                 | White Ral 9010  | <b>.31</b>            |   |   |
|        |                                 | Grey  | <b>.32</b>            |   |   |
|        |                                 | Champagne   | <b>.38</b>            |   |   |
|        |                                 | Bronze  | <b>.39</b>            |  |   |
|        | Grips:                          |   |                       |  |   |
|        | <b>LEATHER WRAPPED ALUMINUM</b> | Black PF  |                       |  |  |
|        |                                 | Other colors on request                                 |                       |  |   |

**POWDER COATED ALUMINUM GRIP**



**ITEM**

**KLO.SLA.99RU.44**



**PULL MADE OF  
STAINLESS STEEL  
STANDARD SATIN**

**UPPER GRIP MADE OF  
POWDER COATED ALUMINUM  
STANDARD BLACK**

**ECONYL<sup>®</sup>**  
REGENERATED NYLON  
**PUSH COUPLER MADE OF  
ECONYL<sup>®</sup> REGENERATED NYLON  
STANDARD BLACK**

**LOWER GRIP MADE OF  
POWDER COATED ALUMINUM  
STANDARD BLACK**

**ACTIVATION  
AREA**



**“PUSH” MARKING  
OPTION SOON AVAILABLE  
FOR UPPER ALUMINUM GRIP  
ITEM KLO.SLA.PUSH.00**

**LEATHER WRAPPED ALUMINUM GRIP**



**ITEM**

**KLO.SLL.99RU.44**



**PULL MADE OF  
STAINLESS STEEL  
STANDARD SATIN**

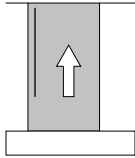
**UPPER GRIP MADE OF  
LEATHER WRAPPED ALUMINUM  
STANDARD BLACK**

**ECONYL®  
REGENERATED NYLON**  
**PUSH COUPLER MADE OF  
ECONYL® REGENERATED NYLON  
STANDARD BLACK**

**LOWER GRIP MADE OF  
LEATHER WRAPPED ALUMINUM  
STANDARD BLACK**

**ACTIVATION  
AREA**

SINGLE-MOTION UNLATCHING DOOR PULL  
FOR SWING DOORS - PUSH



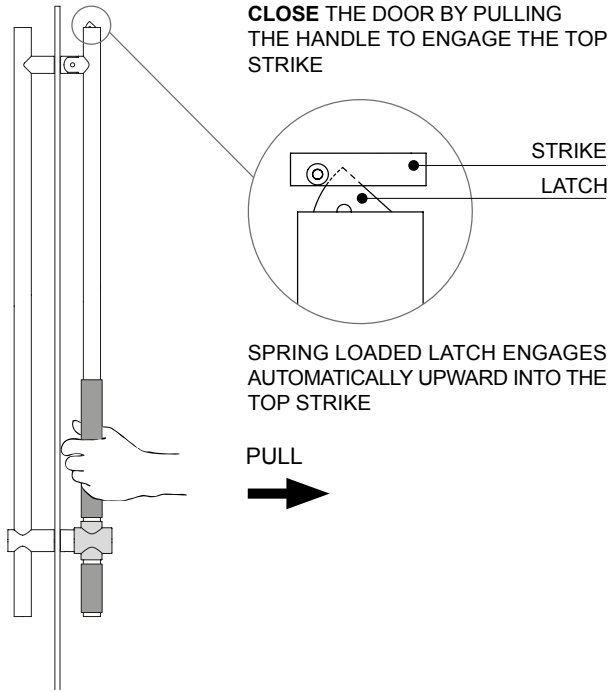
SINGLE  
MOTION

A D A  
< 5 lbf

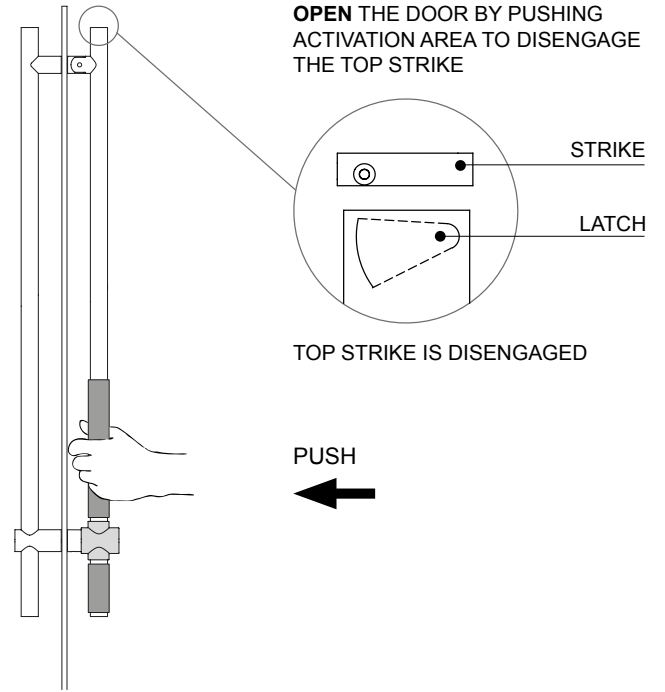


**PAIRED WITH TOP STRIKE WITH ROLLER**

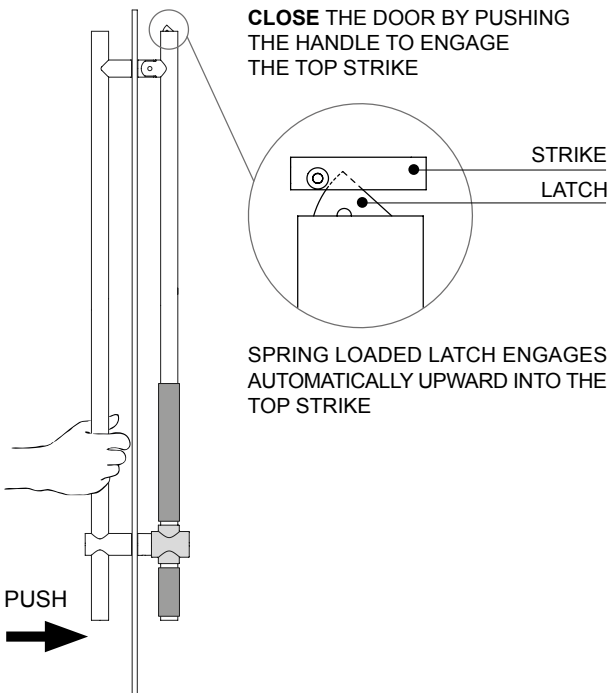
**INSIDE** CLOSE THE DOOR TO LOCK



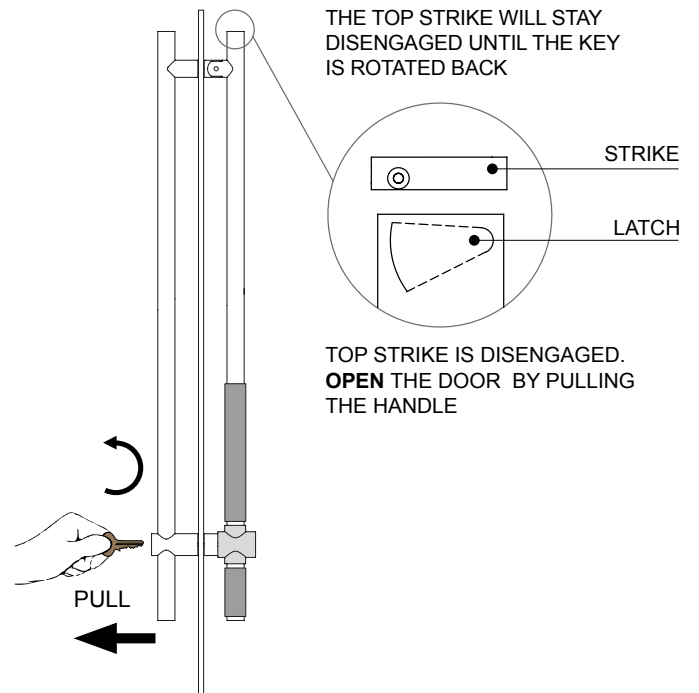
**INSIDE** UNLOCK AND OPEN DOOR VIA ACTIVATION AREA



**OUTSIDE** CLOSE THE DOOR TO LOCK



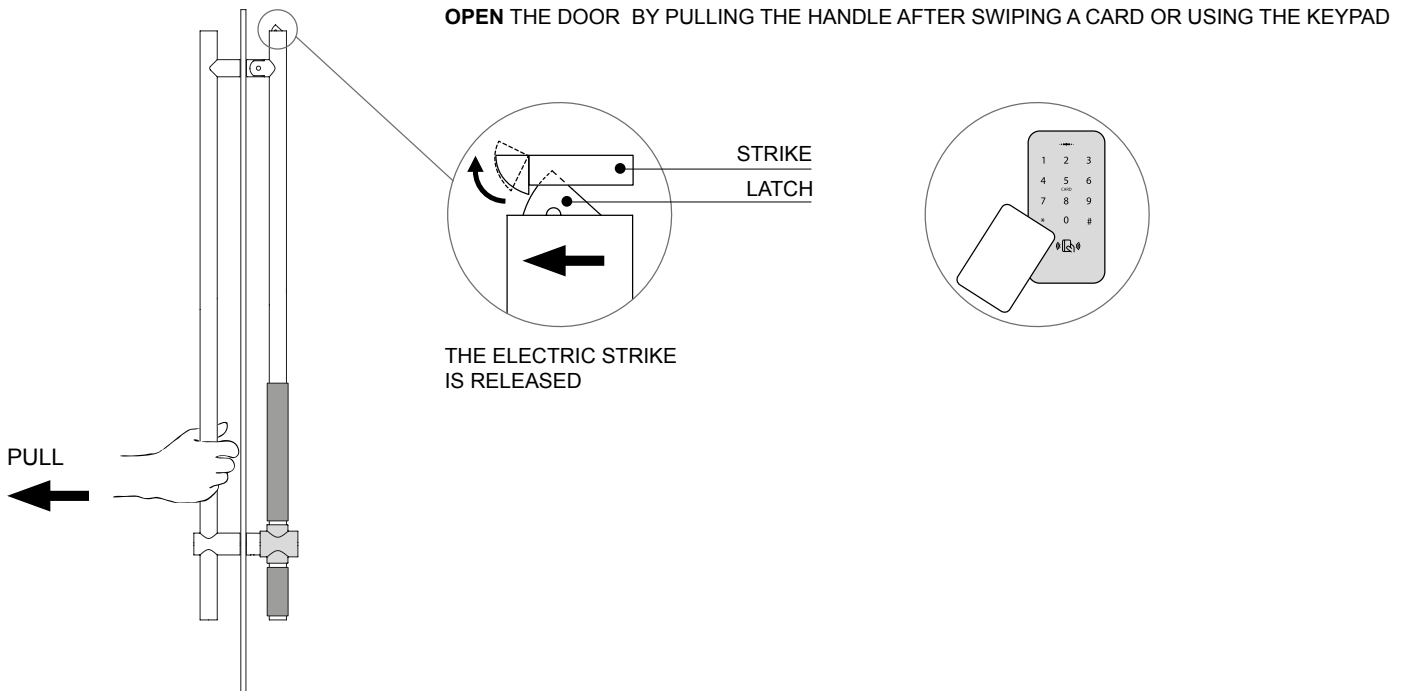
**OUTSIDE** USE KEY TO UNLOCK AND PULL THE HANDLE TO OPEN THE DOOR



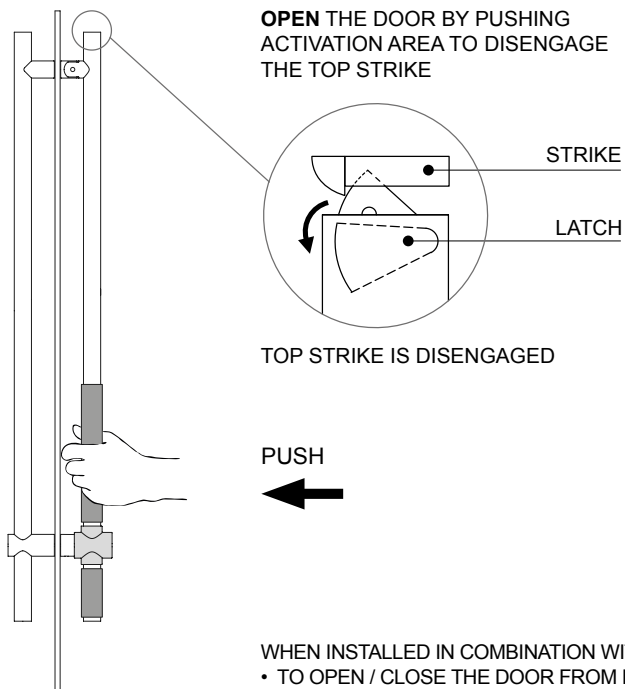
NOTE: THE USE OF THE TOP STRIKE WITH ROLLER PROVIDED BY pba IS MANDATORY.

## PAIRED WITH TOP ELECTRIC STRIKE

### OUTSIDE UNLOCK AND OPEN DOOR



### INSIDE UNLOCK AND OPEN DOOR VIA ACTIVATION AREA

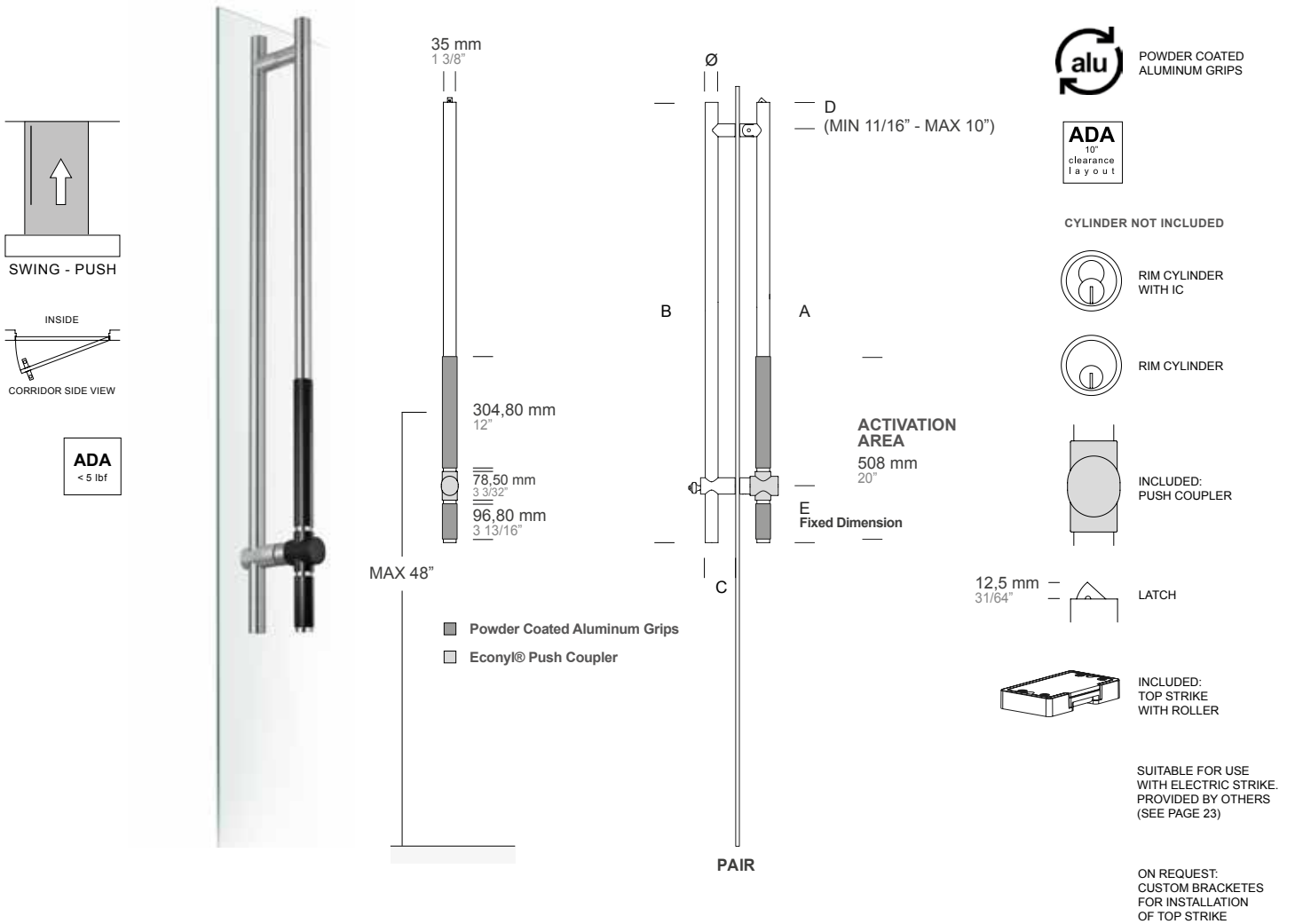


WHEN INSTALLED IN COMBINATION WITH AN ELECTRIC STRIKE THE ACTIONS NEEDED:

- TO OPEN / CLOSE THE DOOR FROM INSIDE
- TO OPEN / CLOSE THE DOOR USING THE KEY FROM OUTSIDE

ARE THE SAME NEEDED FOR THE USE WITH STRIKE WITH ROLLER AS SHOWN IN THE PREVIOUS PAGE.

NOTE: A COMPATIBLE ELECTRIC STRIKE (NOT PROVIDED BY pba) HAS TO BE USED INSTEAD OF PBA'S STANDARD STRIKE WITH ROLLER. PLEASE REFER TO COMPATIBILITY CHART OR CONTACT pba.



|             | ITEM   | A      | B              | C               | D      | E               | Ø               |
|-------------|--|--------|----------------|-----------------|--------|-----------------|-----------------|
| PAIR        | KLO.SLA.RU60. xx   | custom | 1524 mm<br>60" | 80 mm<br>3 1/8" | custom | 152,40 mm<br>6" | 35 mm<br>1 3/8" |
| TOP LOCKING | KLO.SLA.RU72. xx   | custom | 1828 mm<br>72" | 80 mm<br>3 1/8" | custom | 152,40 mm<br>6" | 35 mm<br>1 3/8" |
|             | KLO.SLA.RU84. xx   | custom | 2133 mm<br>84" | 80 mm<br>3 1/8" | custom | 152,40 mm<br>6" | 35 mm<br>1 3/8" |
|             | KLO.SLA.99RU. xx   | custom | custom         | 80 mm<br>3 1/8" | custom | 152,40 mm<br>6" | 35 mm<br>1 3/8" |
|             | Dimension (A+D) MIN = 48" (1219,20 mm)<br>Dimension (A+D) MAX = 78" (1981,20 mm)<br>Dimension B (OAL) MIN = 54" (1371,6 mm)<br>Dimension E = 6" NOT CUSTOMIZABLE<br>Upper grip midpoint has to be at MAX 48" (1219,20 mm) above finish floor |        |                |                 |        |                 |                 |

- .XX = FINISH CODE
- .44 STANDARD FINISH CODE:  
 - SATIN STAINLESS STEEL PULL (ANSI/BHMA 630 - USD32D)  
 - BLACK POWDER COATED ALUMINUM GRIPS  
 - BLACK ECONYL® REGENERATED NYLON PUSH COUPLER
- PULL: OTHER AVAILABLE OPTIONS
- .43 BRIGHT STAINLESS STEEL (ANSI/BHMA 629 - USD32)
- STAINLESS STEEL POWDER COATED
- .40 BLACK RAL 9005 MATT
  - .26 BLACK RAL 9005 GLOSSY
  - .31 WHITE RAL 9010
  - .32 GREY
  - .38 CHAMPAGNE
  - .39 BRONZE
  - .36 ARCHITECTURAL BRONZE
  - .56 MEDIUM BRONZE
  - .41 SILVER
  - .55 GOLD

ACTIVATION AREA: OTHER AVAILABLE OPTIONS see page 8

EDGE COMPONENTS:  
 BLACK FOR DARK COLOR POWDER  
 GREY FOR LIGHT COLOR POWDER AND STAINLESS STEEL



DOOR PREPARATION DP7  
 page 28

SPACERS FOR DOUBLE GLAZED DOOR  
 KLO.KIT.9RU2  
 page 27

STRIKE DETAILS  
 page 23

"PUSH" MARKING:  
 OPTION SOON AVAILABLE FOR UPPER ALUMINUM GRIP ADD ITEM KLO.SLA.PUSH.00



THESE PRODUCTS CONTRIBUTE TO LEED® CREDITS

THE MANUFACTURER RESERVES THE RIGHT TO ALTER, IMPROVE AND DISCONTINUE ANY FEATURES OF THE PRODUCT [MAKE CHANGES AND IMPROVEMENTS IN DESIGNS AND DIMENSIONS] WITHOUT NOTICE.

ALL DIMENSIONS IN THE CATALOG DRAWINGS ARE APPROXIMATIONS. REQUEST THE APPROPRIATE TECHNICAL DRAWING BEFORE DOOR PREPARATION AND INSTALLATION.

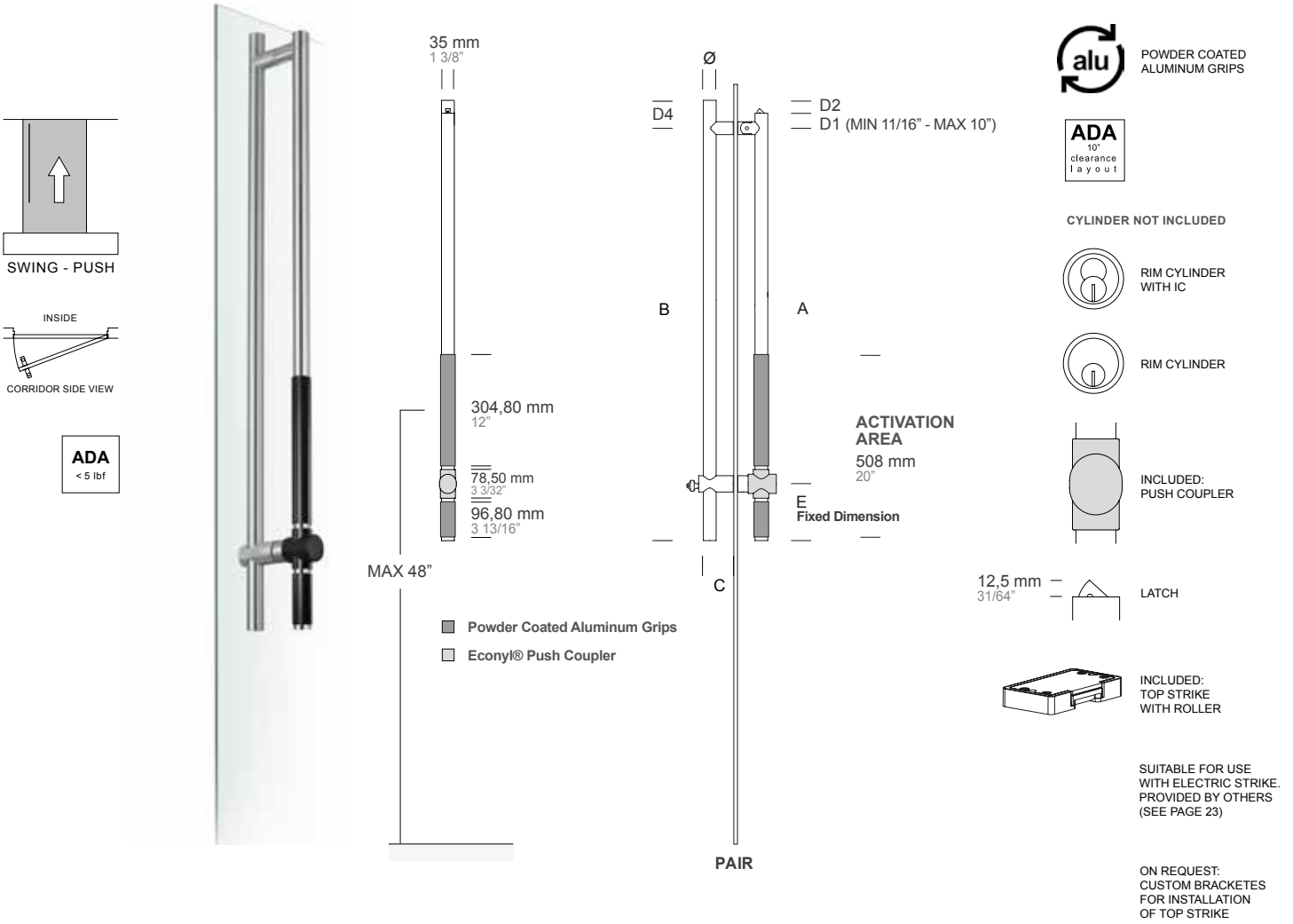
BRAND OF COMPATIBLE RIM CYLINDER:

|                  |            |
|------------------|------------|
| - ARROW          | - BEST     |
| - CORBIN RUSSWIN | - KABAILCO |
| - MEDECO         | - SARGENT  |
| - SCHLAGE        | - YALE     |

COMBINED NON LOCKING

ITEM KLO.0G2.99RU





| ITEM        | A  | B      | C      | D1-D2-D4        | E      | Ø               |                 |
|-------------|--|--------|--------|-----------------|--------|-----------------|-----------------|
| PAIR        | KLO.SLA.9ZU2. xx   | custom | custom | 80 mm<br>3 1/8" | custom | 152,40 mm<br>6" | 35 mm<br>1 3/8" |
| TOP LOCKING | Dimension (A+D1) MIN = 48" (1219,20 mm)<br>Dimension (A+D1) MAX = 78" (1981,20 mm)<br>Dimension D4 (D1 + D2)<br>Dimension B (OAL) MIN = 54" (1371,6 mm)<br>Dimension E = 6" NOT CUSTOMIZABLE<br>Upper grip midpoint has to be at MAX 48" (1219,20 mm) above finish floor |        |        |                 |        |                 |                 |

.XX = FINISH CODE

- .44 STANDARD FINISH CODE:
  - SATIN STAINLESS STEEL PULL (ANSI/BHMA 630 - USD32D)
  - BLACK POWDER COATED ALUMINUM GRIPS
  - BLACK ECONYL® REGENERATED NYLON PUSH COUPLER

PULL: OTHER AVAILABLE OPTIONS

- .43 BRIGHT STAINLESS STEEL (ANSI/BHMA 629 - USD32)
- STAINLESS STEEL POWDER COATED
- .40 BLACK RAL 9005 MATT
- .26 BLACK RAL 9005 GLOSSY
- .31 WHITE RAL 9010
- .32 GREY
- .38 CHAMPAGNE
- .39 BRONZE
- .36 ARCHITECTURAL BRONZE
- .56 MEDIUM BRONZE
- .41 SILVER
- .55 GOLD

ACTIVATION AREA: OTHER AVAILABLE OPTIONS see page 8

EDGE COMPONENTS:  
BLACK FOR DARK COLOR POWDER  
GREY FOR LIGHT COLOR POWDER AND STAINLESS STEEL



DOOR PREPARATION DP7  
page 28

SPACERS FOR DOUBLE GLAZED DOOR  
KLO.KIT.9RU2  
page 27

STRIKE DETAILS  
page 23

"PUSH" MARKING:  
OPTION SOON AVAILABLE FOR UPPER ALUMINUM GRIP ADD ITEM KLO.SLA.PUSH.00



THESE PRODUCTS CONTRIBUTE TO LEED® CREDITS

THE MANUFACTURER RESERVES THE RIGHT TO ALTER, IMPROVE AND DISCONTINUE ANY FEATURES OF THE PRODUCT [MAKE CHANGES AND IMPROVEMENTS IN DESIGNS AND DIMENSIONS] WITHOUT NOTICE.

ALL DIMENSIONS IN THE CATALOG DRAWINGS ARE APPROXIMATIONS. REQUEST THE APPROPRIATE TECHNICAL DRAWING BEFORE DOOR PREPARATION AND INSTALLATION.

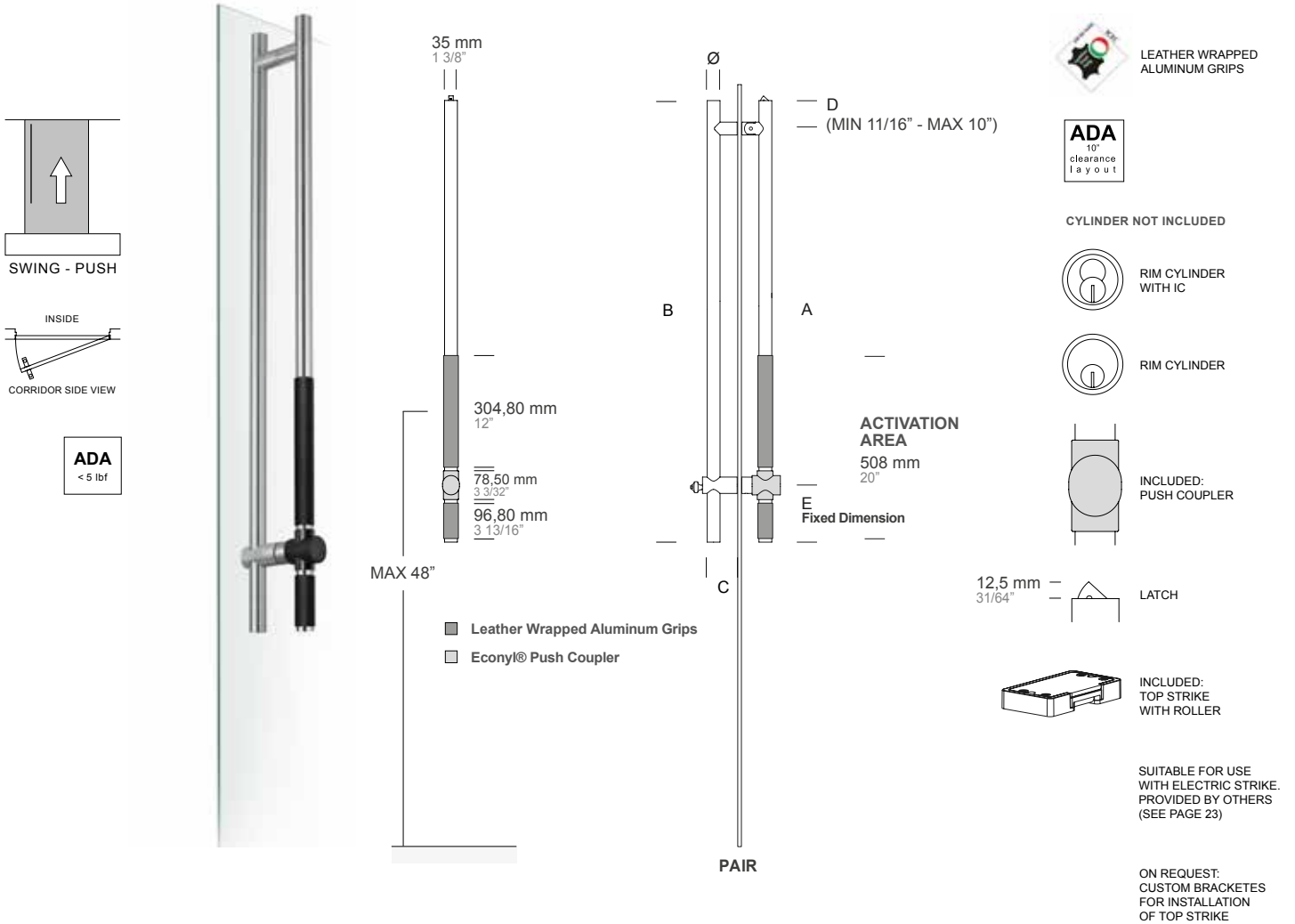
BRAND OF COMPATIBLE RIM CYLINDER:

|                  |            |
|------------------|------------|
| - ARROW          | - BEST     |
| - CORBIN RUSSWIN | - KABAILCO |
| - MEDECO         | - SARGENT  |
| - SCHLAGE        | - YALE     |

COMBINED NON LOCKING

ITEM  
KLO.0G2.99ZU





|             | ITEM   | A      | B              | C               | D      | E               | Ø               |
|-------------|--|--------|----------------|-----------------|--------|-----------------|-----------------|
| PAIR        | KLO.SLL.RU60. xx   | custom | 1524 mm<br>60" | 80 mm<br>3 1/8" | custom | 152,40 mm<br>6" | 35 mm<br>1 3/8" |
| TOP LOCKING | KLO.SLL.RU72. xx   | custom | 1828 mm<br>72" | 80 mm<br>3 1/8" | custom | 152,40 mm<br>6" | 35 mm<br>1 3/8" |
|             | KLO.SLL.RU84. xx   | custom | 2133 mm<br>84" | 80 mm<br>3 1/8" | custom | 152,40 mm<br>6" | 35 mm<br>1 3/8" |
|             | KLO.SLL.99RU. xx   | custom | custom         | 80 mm<br>3 1/8" | custom | 152,40 mm<br>6" | 35 mm<br>1 3/8" |
|             | Dimension (A+D) MIN = 48" (1219,20 mm)<br>Dimension (A+D) MAX = 78" (1981,20 mm)<br>Dimension B (OAL) MIN = 54" (1371,6 mm)<br>Dimension E = 6" NOT CUSTOMIZABLE<br>Upper grip midpoint has to be at MAX 48" (1219,20 mm) above finish floor |        |                |                 |        |                 |                 |

.XX = FINISH CODE

- .44 STANDARD FINISH CODE:
  - SATIN STAINLESS STEEL PULL (ANSI/BHMA 630 - USD32D)
  - BLACK LEATHER WRAPPED ALUMINUM GRIPS
  - BLACK ECONYL® REGENERATED NYLON PUSH COUPLER

PULL: OTHER AVAILABLE OPTIONS

- .43 BRIGHT STAINLESS STEEL (ANSI/BHMA 629 - USD32)
- STAINLESS STEEL POWDER COATED
- .40 BLACK RAL 9005 MATT
- .26 BLACK RAL 9005 GLOSSY
- .31 WHITE RAL 9010
- .32 GREY
- .38 CHAMPAGNE
- .39 BRONZE
- .36 ARCHITECTURAL BRONZE
- .56 MEDIUM BRONZE
- .41 SILVER
- .55 GOLD

ACTIVATION AREA: OTHER AVAILABLE OPTIONS see page 8

EDGE COMPONENTS:  
BLACK FOR DARK COLOR POWDER  
GREY FOR LIGHT COLOR POWDER AND STAINLESS STEEL

- DOOR PREPARATION DP7 page 28
- SPACERS FOR DOUBLE GLAZED DOOR KLO.KIT.9RU2 page 27
- STRIKE DETAILS page 23

THESE PRODUCTS CONTRIBUTE TO LEED® CREDITS

THE MANUFACTURER RESERVES THE RIGHT TO ALTER, IMPROVE AND DISCONTINUE ANY FEATURES OF THE PRODUCT [MAKE CHANGES AND IMPROVEMENTS IN DESIGNS AND DIMENSIONS] WITHOUT NOTICE.

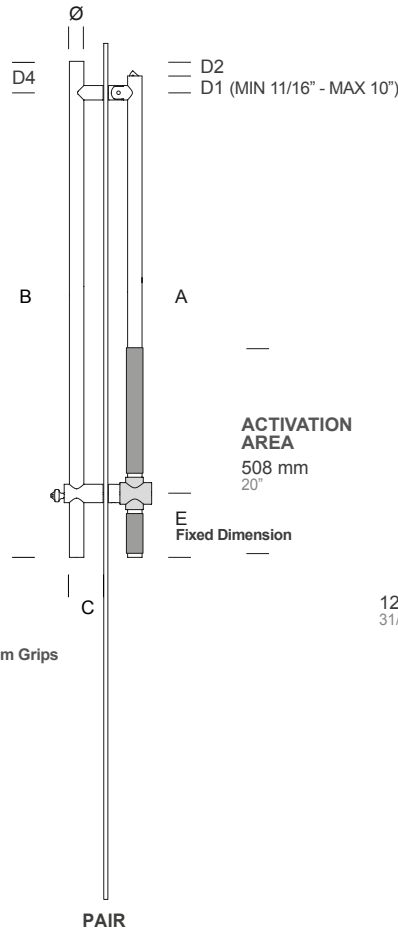
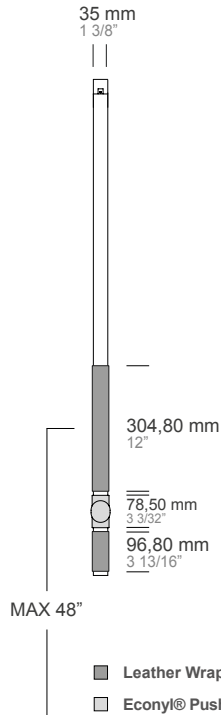
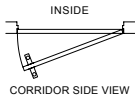
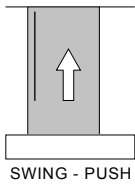
ALL DIMENSIONS IN THE CATALOG DRAWINGS ARE APPROXIMATIONS. REQUEST THE APPROPRIATE TECHNICAL DRAWING BEFORE DOOR PREPARATION AND INSTALLATION.

| BRAND OF COMPATIBLE RIM CYLINDER: |            |
|-----------------------------------|------------|
| - ARROW                           | - BEST     |
| - CORBIN RUSSWIN                  | - KABAILCO |
| - MEDECO                          | - SARGENT  |
| - SCHLAGE                         | - YALE     |

COMBINED NON LOCKING

ITEM KLO.0G2.99RU





LEATHER WRAPPED ALUMINUM GRIPS



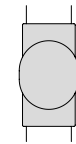
CYLINDER NOT INCLUDED



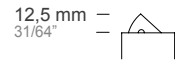
RIM CYLINDER WITH IC



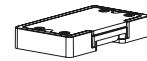
RIM CYLINDER



INCLUDED: PUSH COUPLER



LATCH



INCLUDED: TOP STRIKE WITH ROLLER

SUITABLE FOR USE WITH ELECTRIC STRIKE. PROVIDED BY OTHERS (SEE PAGE 23)

ON REQUEST: CUSTOM BRACKETES FOR INSTALLATION OF TOP STRIKE

|      | ITEM            | A      | B      | C               | D1-D2-D4 | E               | Ø               |
|------|-----------------|--------|--------|-----------------|----------|-----------------|-----------------|
| PAIR | KLO.SLL.9ZU2.xx | custom | custom | 80 mm<br>3 1/8" | custom   | 152,40 mm<br>6" | 35 mm<br>1 3/8" |

**TOP LOCKING**  
 Dimension (A+D1) MIN = 48" (1219,20 mm)  
 Dimension (A+D1) MAX = 78" (1981,20 mm)  
 Dimension D4 (D1 + D2)  
 Dimension B (OAL) MIN = 54" (1371,6 mm)  
 Dimension E = 6" NOT CUSTOMIZABLE  
 Upper grip midpoint has to be at MAX 48" (1219,20 mm) above finish floor

XX = FINISH CODE

- .44 STANDARD FINISH CODE:
  - SATIN STAINLESS STEEL PULL (ANSI/BHMA 630 - USD32D)
  - BLACK LEATHER WRAPPED ALUMINUM GRIPS
  - BLACK ECONYL® REGENERATED NYLON PUSH COUPLER

PULL: OTHER AVAILABLE OPTIONS

- .43 BRIGHT STAINLESS STEEL (ANSI/BHMA 629 - USD32)
- STAINLESS STEEL POWDER COATED
- .40 BLACK RAL 9005 MATT
- .26 BLACK RAL 9005 GLOSSY
- .31 WHITE RAL 9010
- .32 GREY
- .38 CHAMPAGNE
- .39 BRONZE
- .36 ARCHITECTURAL BRONZE
- .56 MEDIUM BRONZE
- .41 SILVER
- .55 GOLD

ACTIVATION AREA: OTHER AVAILABLE OPTIONS see page 8

EDGE COMPONENTS:

BLACK FOR DARK COLOR POWDER  
 GREY FOR LIGHT COLOR POWDER AND STAINLESS STEEL

DOOR PREPARATION DP7  
page 28

SPACERS FOR DOUBLE GLAZED DOOR  
KLO.KIT.9RU2  
page 27

STRIKE DETAILS  
page 23

THESE PRODUCTS CONTRIBUTE TO LEED® CREDITS

THE MANUFACTURER RESERVES THE RIGHT TO ALTER, IMPROVE AND DISCONTINUE ANY FEATURES OF THE PRODUCT [MAKE CHANGES AND IMPROVEMENTS IN DESIGNS AND DIMENSIONS] WITHOUT NOTICE.

ALL DIMENSIONS IN THE CATALOG DRAWINGS ARE APPROXIMATIONS. REQUEST THE APPROPRIATE TECHNICAL DRAWING BEFORE DOOR PREPARATION AND INSTALLATION.

BRAND OF COMPATIBLE RIM CYLINDER:

- ARROW
- CORBIN RUSSWIN
- MEDECO
- SCHLAGE
- BEST
- KABAILCO
- SARGENT
- YALE

COMBINED NON LOCKING

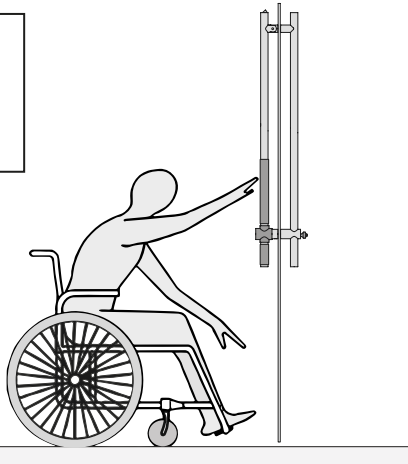
ITEM  
KLO.0G2.99ZU



TECHNICAL INFORMATION

CONFIGURATION TO COMPLY WITH ADA STANDARD

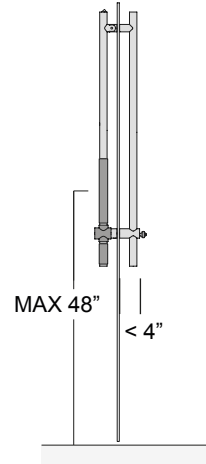
**ADA**  
< 5 lbf



The activation area is operated by a force lower than 5 lbf (22 N) until the locking latch clears the strike.

**ADA**  
34" - 48"

**ADA**  
4" protrusion limits

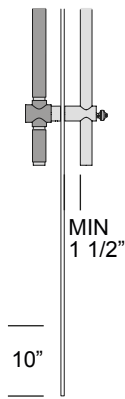


The activation area is located 34" to 48" above the floor or ground.

Protruding object shall protrude 4" maximum into the circulation path.

**ADA**  
10" clearance layout

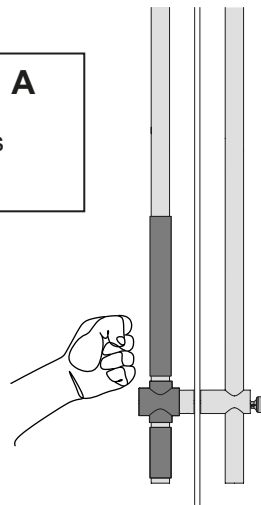
**ADA**  
Recs



Designed to accommodate the ADA 10" clearance requirement at the push side of a swing door.

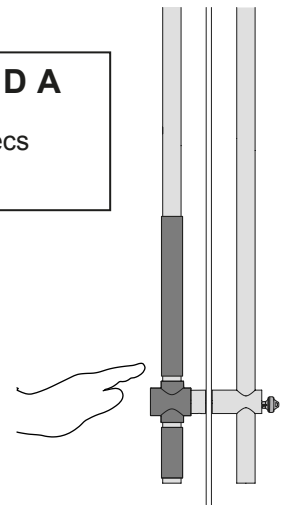
Single-Motion Unlatching Door Pull provides sufficient knuckle clearance (1 1/2" minimum) to facilitate gripping.

**ADA**  
Recs



Single-Motion Unlatching Door Pull is usable with a closed fist of loose grip.

**ADA**  
Recs



Single-Motion Unlatching Door Pull doesn't require hand or finger dexterity, fine motor movement, or simultaneous actions.

**ADA**  
One hand operation

Single-Motion Unlatching Door Pull allows one-hand operation.

TO EGRESS

**ADA**  
Not grasping, pinching, twisting

Single-Motion Unlatching Door Pull doesn't require tight grasping, pinching, or twisting of the wrist.

TO EGRESS

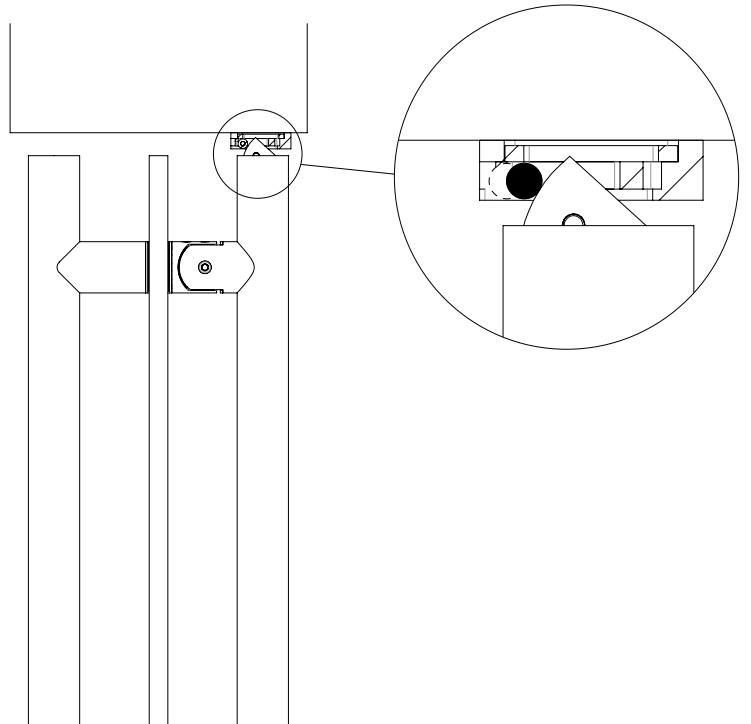
**MANDATORY TOP STRIKE WITH ROLLER (INCLUDED)**

TO ENSURE PROPER OPERATION, THE SINGLE MOTION UNLATCHING DOOR PULL SHOULD BE USED WITH THE pba "ROLLER" STRIKE SHIPPED WITH THE PRODUCT. THE pba STRIKE SHOULD BE REVIEWED AND APPROVED BY THE DESIGN TEAM FOR USE WITH THE INTENDED DEMOUNTABLE PARTITION SYSTEM. WHEN REQUIRED, CUSTOM STRIKES ARE AVAILABLE TO ADAPT THE PULL TO VIRTUALLY ANY DEMOUNTABLE PARTITION SYSTEM. CONTACT pba FOR MORE INFORMATION.

**STANDARD:**  
TOP STRIKE WITH ROLLER INCLUDED



**KLO.SKI.0008.44**



**ELECTRIC STRIKE**

THE SINGLE MOTION UNLATCHING DOOR PULL IS SUITABLE FOR USE WITH ELECTRIC STRIKE (PROVIDED BY OTHERS).

LIST OF COMPATIBLE TESTED ELECTRIC STRIKES:

- ASSA ABLOY HES8000
- ASSA ABLOY HES4500
- ASSA ABLOY HES5200
- ASSA ABLOY FOLGER ADAM 310 SERIES
- ASSA ABLOY HES9100
- ASSA ABLOY HES9200
- ASSA ABLOY HES9500
- ASSA ABLOY HES9700

SEE PAGES 24-25 FOR TESTED ELECTRIC STRIKES INFORMATION.

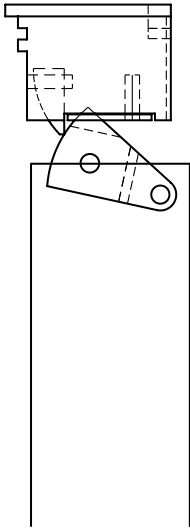


PLEASE CONTACT pba TO VERIFY COMPATIBILITY OF OTHER ELECTRIC STRIKES.

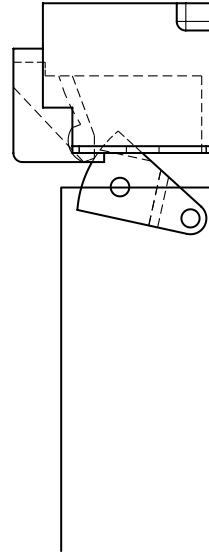
PLEASE VERIFY THE POSSIBILITY OF CORRECT PAIRING AND ELECTRICITY SUPPLY AS PER pba's INSTALLATION INSTRUCTIONS AND ELECTRIC STRIKE MANUFACTURER'S INSTALLATION INSTRUCTIONS.

COMPATIBLE ELECTRIC STRIKES

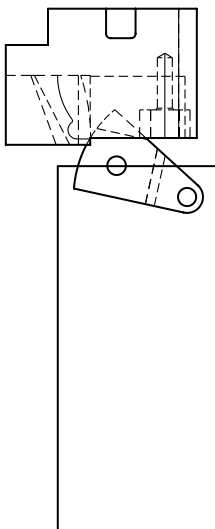
ASSA ABLOY HES8000



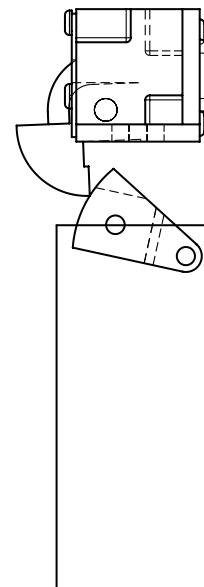
ASSA ABLOY HES4500



ASSA ABLOY HES5200

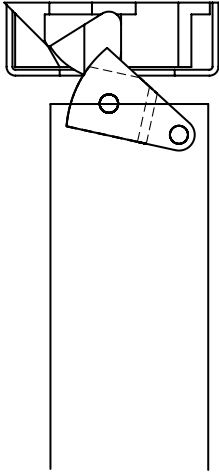


ASSA ABLOY FOLGER ADAM 310 SERIES

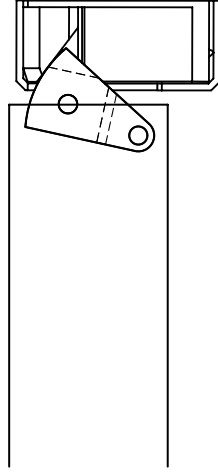


COMPATIBLE ELECTRIC STRIKES

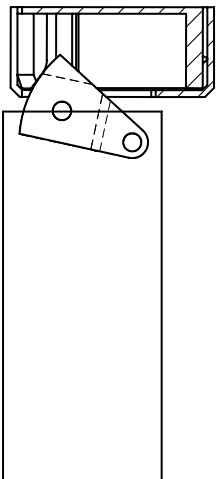
HES9100  
HES9200



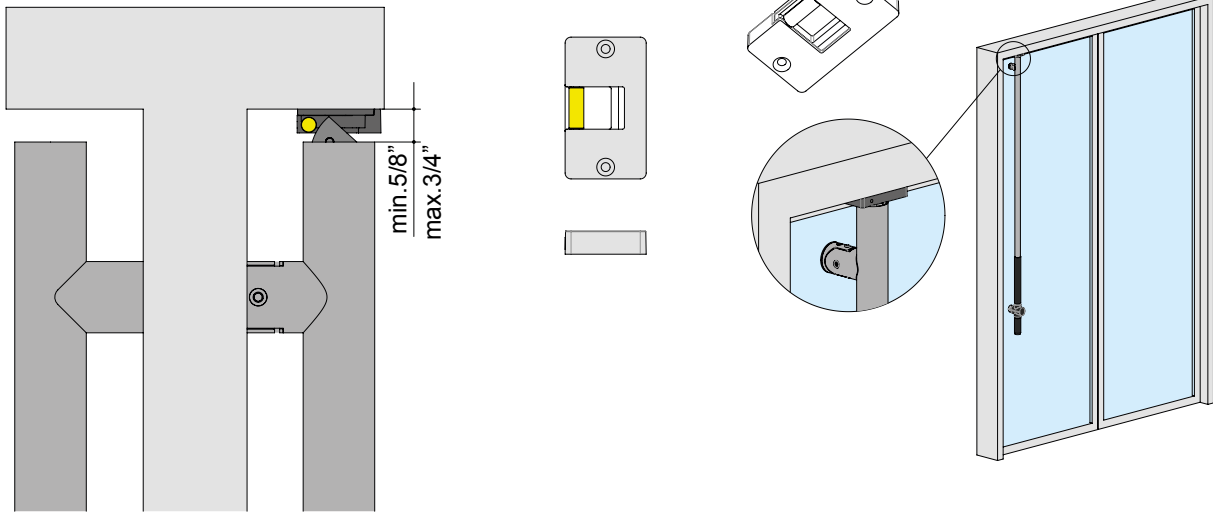
HES9500



HES9700

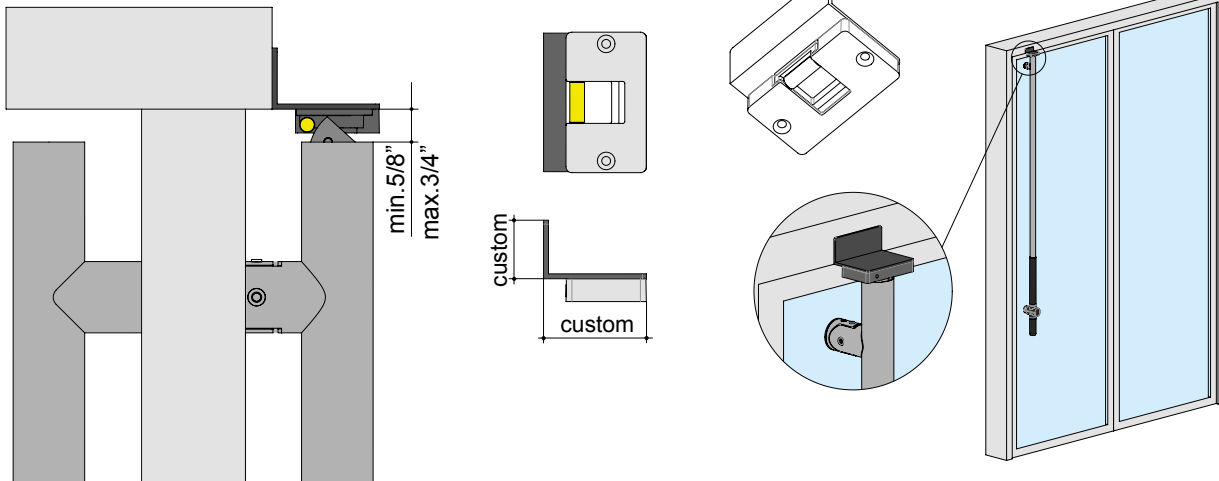


**STANDARD ADJUSTABLE STRIKE INCLUDED**

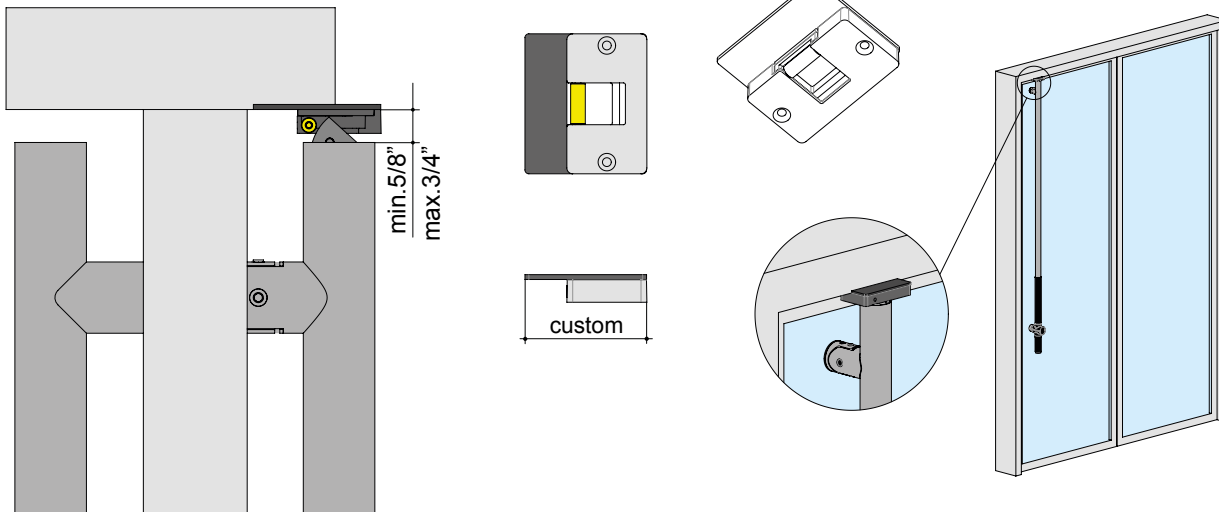


**CUSTOM BRACKETS FOR STANDARD STRIKE**

**TAILOR-MADE "L" SHAPED PLATE FOR STANDARD STRIKE**  
ON REQUEST

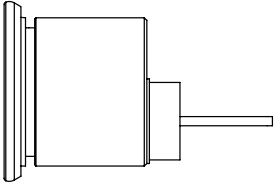


**TAILOR-MADE STRAIGHT PLATE FOR STANDARD STRIKE**  
ON REQUEST

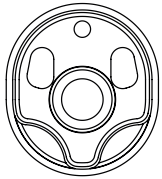


**CYLINDER COMPATIBILITY**

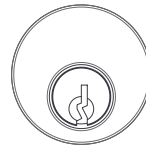
**RIM CYLINDERS - FOR ALUMINUM LOCKING LADDER PULLS**



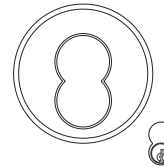
PBA UNIVERSAL BACKPLATE INCLUDED WITH LOCKING PULL  
ALLOWS TO ACCOMMODATE ANY RIM CYLINDER BRAND OR FORMAT



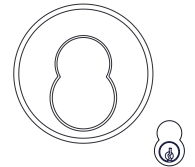
**AVAILABLE FORMATS:**



CONVENTIONAL

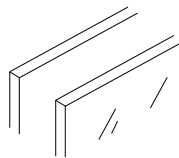


HOUSING FOR SFIC

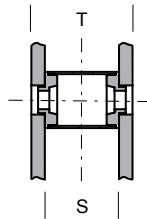


HOUSING FOR LFIC

**SPACERS FOR DOUBLE GLAZED DOOR**



Double glazed doors

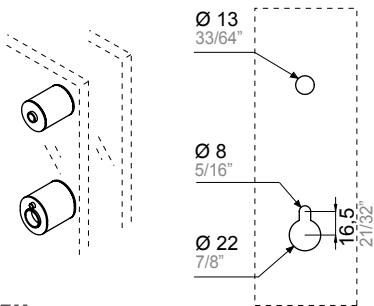


T = custom  
S = custom

**OVAL + ROUND SPACERS**

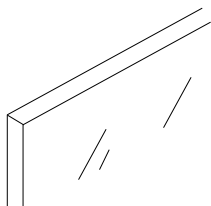
**KLO LINE RIM - SPACERS FOR STAINLESS STEEL Ø35 LOCKING AND NON LOCKING PULLS**

1 OVAL POST (BOTTOM) + 1 Ø35 ROUND POST (TOP)

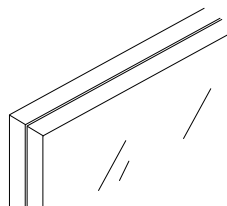


ITEM  
KLO.KIT.9RU2

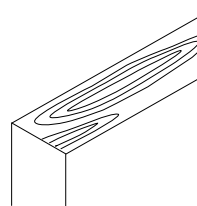
**INSTALLATION ON ANY TYPE OF MATERIAL**



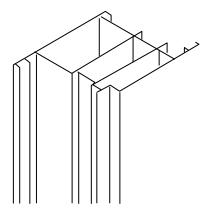
GLASS DOORS



DOUBLE GLAZED DOORS



WOOD DOORS



DP7 - DOOR PREPARATION FOR SINGLE-MOTION UNLATCHING DOOR PULLS

HOLES DIAMETERS AND CENTER TO CENTER SIZES

