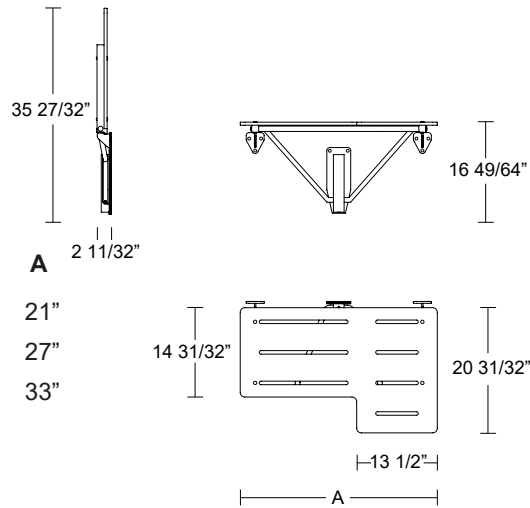




ITEM

- 4CS.447.UL01 . xx**
- 4CS.447.UL02 . xx**
- 4CS.447.UL03 . xx**



FOLDING SHOWER SEAT

Seat 1/2" (13 mm) thick solid high pressure laminated (HPL) with slots for water drainage, connected to frame with type-316 stainless steel bolts. Reversible for left / right installation on site.
 Frame type-316 satin finish stainless steel 1-1/4" (30 mm) square tube connected with 25/32" (20 mm) diameter tube. Mounting flanges and Guide Bracket in type-316 satin finish stainless steel 15/64" (6 mm) thick with fully recyclable polyamide-6 wall protection. 9 screw holes for attachment to wall. Adjustable frictioning system.



Strength. PBA 4CS folding shower seat can support loads up to 992 pounds (450 kg) if properly installed.

MOUNTING KITS not included.

Optional mounting kit for concrete, natural stone, solid brick and hollow brick: KIT 4CN.0VM.0042.00.
 Optional mounting kit for sheetrock wall and wooden plate: KIT 4CN.0VM.0043.00.

SAFETY WARNING

Shower seats must be firmly secured to the anchors and the wall in order for them to support the weight they are designed for. Shower seats alone are not stronger than anchors and walls. In case the seat is not securely anchored to the wall, the building owner or maintenance personnel must remove it from service to avoid any accident or injury.
DO NOT use seat if weight exceeds 992 lbs (450 kg).

OPERATION

Shower seat folds up in vertical position when not in use. Once seat is in the full upright (vertical) position, the spring loading system prevents shower seat from falling back down to the full horizontal position, until released by pulling the top of the seat away from wall.
 The spring loaded folding mechanism has adjustable frictioning system which helps seat reach perfect vertical position once operated by hand.
 Mounting flanges and guide bracket allow installation for varying mounting heights and leave the floor clear for easy cleaning. Nonporous solid high pressure laminated (HPL) seat has slots to permit water to drain, does not splinter or require oiling, and will not support growth of bacteria.
 The seat panel is reversible for left or right installation and designed to be switched on site.

FOLDING SHOWER SEAT INSTALLATION

Provide anchor device or backing as specified or required in accordance with local building codes before wall is finished. Fasten mounting flanges and base plate to anchor device or backing with three screws in each flange / base plate. Anchor devices and mounting screws are not included with PBA shower seat and must be specified as optional mounting kit.

SUSTAINABILITY

This product contributes to LEED® credit

STAINLESS STEEL AISI 316

- .XX FINISH**
- .44 SATIN** .44 .43
- .43 BRIGHT**

SEAT

STANDARD FINISH

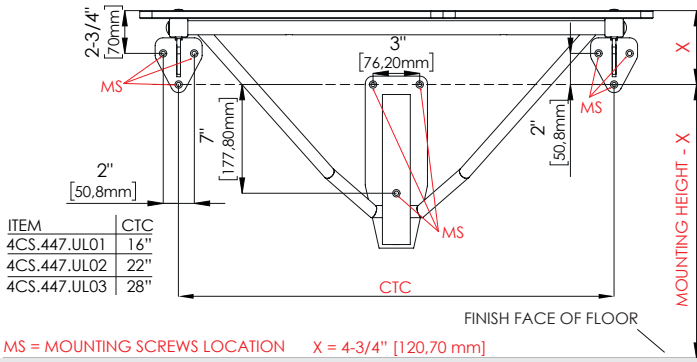
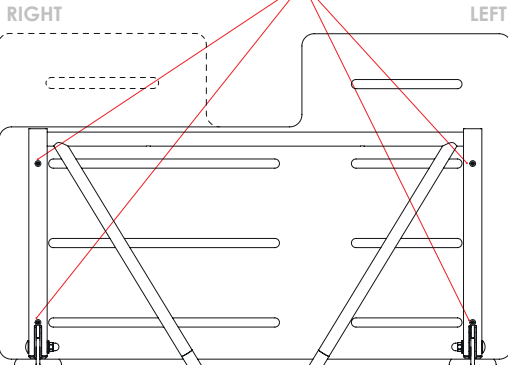
- WHITE
- BLACK

Other colors on request - minimum quantity required



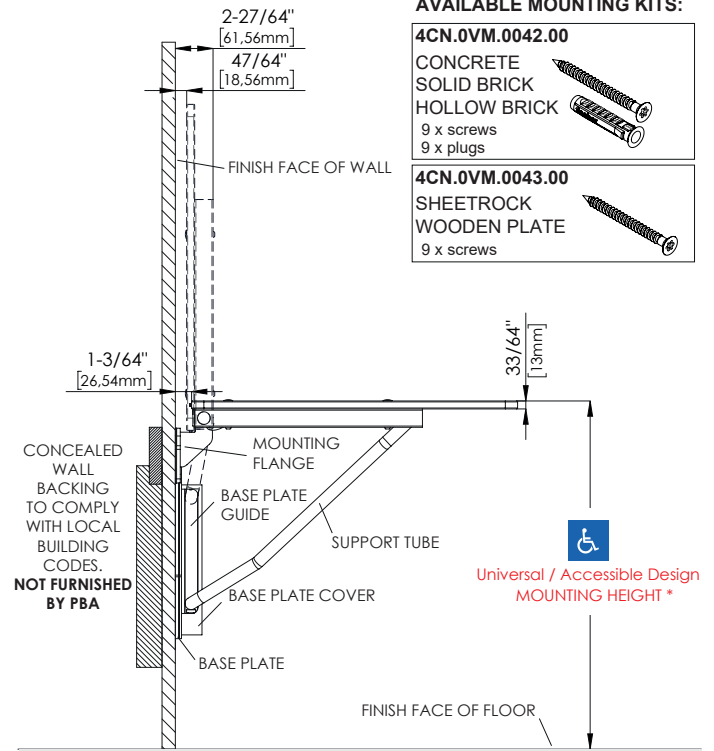
The illustrations and descriptions herein are applicable to production as of the date of Document. The manufacturer reserves the right to make changes and improvements in designs and dimensions. REV 02/2025 ©2025 by PBA S.p.A.

Screws to reverse Seat Position



ITEM	CTC
4CS.447.ULO1	16"
4CS.447.ULO2	22"
4CS.447.ULO3	28"

MS = MOUNTING SCREWS LOCATION X = 4-3/4" [120.70 mm]


AVAILABLE MOUNTING KITS:
4CN.0VM.0042.00

 CONCRETE
SOLID BRICK
HOLLOW BRICK
9 x screws
9 x plugs

4CN.0VM.0043.00

 SHEETROCK
WOODEN PLATE
9 x screws

*according to local building codes

IMPORTANT NOTES

For concrete walls provide fiber plugs and screws. Mounting kit shall be PBA 4CN.0VM.0042.00

For stud wall construction, install backing (not furnished by PBA) before the finished shower wall is applied. Mounting kit shall be PBA 4CN.0VM.0043.00

For prefabricated shower stalls, adequate backing must be provided by the shower stall manufacturer. Mounting kit shall be PBA 4CN.0VM.0043.00

INSTALLATION TO WALL WITH PBA 4CN.0VM.0042.00 or PBA 4CN.0VM.0043.00

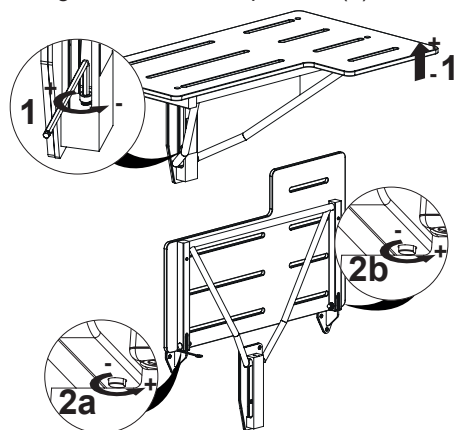
 Once desired mounting height is determined, to comply with local building code, use provided template to mark location of mounting screws. Drill $\varnothing 25/64"$ (10 mm) and insert plugs into wall if you're installing shower seat on Concrete / Solid Brick / Hollow Brick wall.

1) Place base plate and wall protection to wall and secure with mounting screws. 2) Place shower seat to wall with wall protections between mounting flanges and wall and secure each mounting flange with mounting screws. 3) Insert support tube inside base plate guide and install base plate cover with the set screw. 4) Check to see if seat moves freely from horizontal to vertical position.

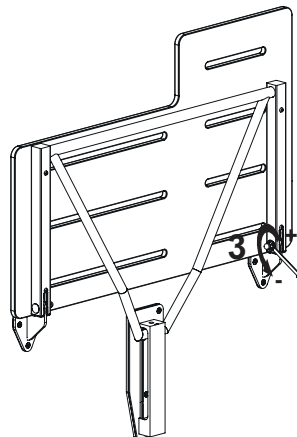
Install Safety Plate (provided) to wall in order to properly advise users of the seat's weight restrictions. Permanently affix Safety Plate to wall at a minimum height of 30" (760 mm). If mounted above seat, the Plate must be high enough so that it is not covered when seat is on the up position. Correct installation of the Safety Plate will ensure that the shower seat meets A.N.S.I. Standards.

SEAT ADJUSTING

With the shower seat secured to wall screw or unscrew the adjustable stop at bottom of base plate to align seat in perfect horizontal position (1). With shower seat lifted up, screw or unscrew each vertical stop located in the back of HPL panel, to align seat in vertical position (2).


ADJUST FRICTION FOR FOLDING MECHANISM

The friction of folding mechanism can be adjusted by screwing or unscrewing the nuts located in the square frame (3).


ADJUST LIFTING UP OPERATION

By screwing or unscrewing the ex.4 screws located between square frame and mounting flanges it's possible to balance the return from horizontal to vertical position, to meet max 5 lbs ADA requirements.

