

This product contributes to LEED® credit

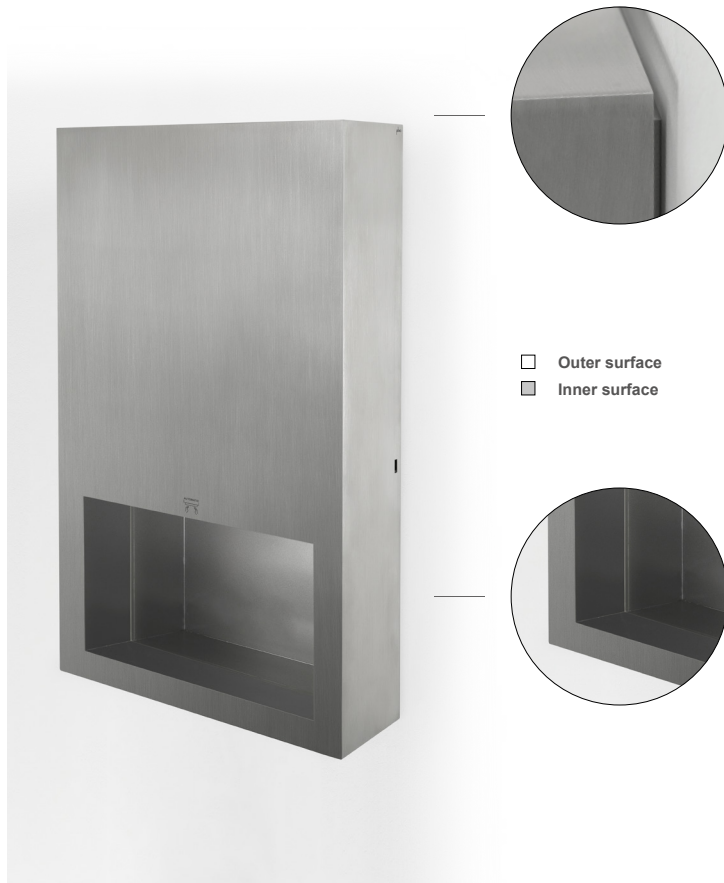


ITEM

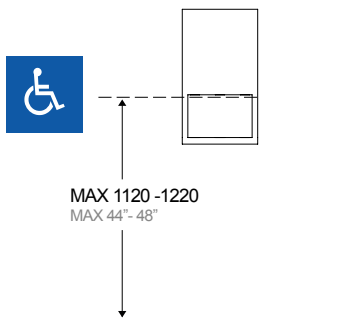
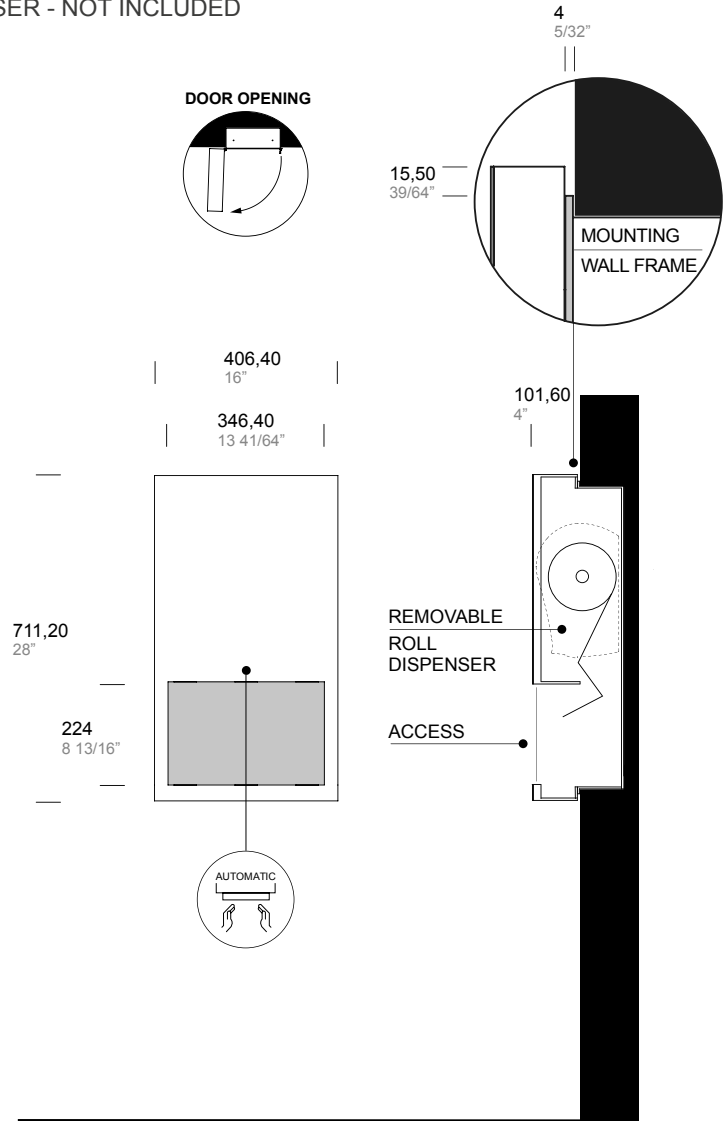
- GBA.106.0001. xx
- GBA.106.0003. xx
- GBA.105.0ETD.00

PAPER TOWEL ROLL DISPENSER:

- RECESSED UNIT FOR CONVERTIBLE PAPER TOWEL ROLL DISPENSER
- DOOR FOR CONVERTIBLE PAPER TOWEL ROLL UNIT
- REMOVABLE AUTOMATIC ROLL DISPENSER - NOT INCLUDED



- Outer surface
- Inner surface



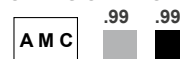
**WALL OPENING**  
Height: 26 1/8" (663,5 mm)  
Width: 14 1/8" (358 mm)  
Depth: 5 1/4" (133 mm)

.XX STANDARD COMBINATION FINISHES OUTER AND INNER SURFACE

	SATIN	POWDER COATED				
<input type="checkbox"/> OUTER	.44	.31	.38	.39	.32	.40
<input type="checkbox"/> INNER AND MOUNTING WALL FRAME	.XX	.31	.38	.39	.32	.40

INNER SURFACE FINISH OPTIONS ON REQUEST \*  
\* minimum order quantity

ANTI-MICROBIAL COATING ONLY FOR OUTER SURFACE



For more information on compliant location see project guide page 149.

The manufacturer reserves the right to alter, improve and discontinue any features of the product [make changes and improvements in designs and dimensions] without notice.



**GBA.106.0001**

**SPECIFICATION:**

Convertible combined unit for dispensing paper towel / paper roll for recessed installation with final overall dimensions 28" (H) x 16" (W). Projection from wall: 53/64" in paper towel configuration; 3-63/64" in paper roll configuration.

GBA.106.0001 includes:

Mounting wall frame in 5/32" (4 mm) thick welded on a all-welded construction in 3/64" (1 mm) thick type 316L stainless steel with powder coated finish for recessed installation.

One key included.

**CONVERTIBLE OPTION (to be ordered separately)**

- Front door for paper roll shall be item GBA.106.0003 compatible with touchless paper roll dispenser GBA.105.0ETD

**OPERATION:**

**GBA.106.0001 + GBA.106.0003 + GBA.105.0ETD** - Use provided key from side hole to open the front door to have access to recessed unit. The sliding door-opening limiter prevents the door for extra-overture which may cause damages to the wall / tiles. Open touchless dispenser with provided plastic key and place recharge of paper roll.

Fits standard size paper rolls up to a maximum of 7-7/8" (200 mm) diameter x 8-21/32" (220 mm) width.

**INSTALLATION:**

Provide framed rough wall opening 26-1/8" height x 14-1/8" width (663,5 x 358 mm). Suggested depth to finish face of wall is 5-1/4" (133 mm); minimum recessed depth required is 5-1/8" (130 mm).

Allow clearance for construction features that may protrude into rough wall opening from opposite wall and avoid pipes, vents and conduits.

Mount unit into wall opening and secure with provided fixing screws in 4 mounting holes on the recessed cabinet.

**GBA.106.0003**

**SPECIFICATION:**

Door for convertible paper roll dispenser

GBA.106.0003 includes:

Front door with beautiful non-rounded design made with 1/16" (1,5 mm) and 5/64" (2 mm) thick type 316L stainless steel welded-per-point. Reinforced structure with full height square 19/32" (15 mm) type 316L stainless steel tube. Exposed surfaces of front door have satin finish. Integrated hinge system to allow the door opening with a minimum gap from the wall (thickness of mounting wall frame).

**GBA.105.0ETD**

**SPECIFICATION:**

Touchless paper roll dispenser compatible with paper rolls up to a maximum of 7-7/8" (200 mm) diameter x 8-21/32" (220 mm) width suitable for item GBA.105.0003, GBA.106.0003

Overall dimensions 14-5/64" (H) x 12-11/16" (W) x 8-3/4"(D).

Power supply with four type D batteries.

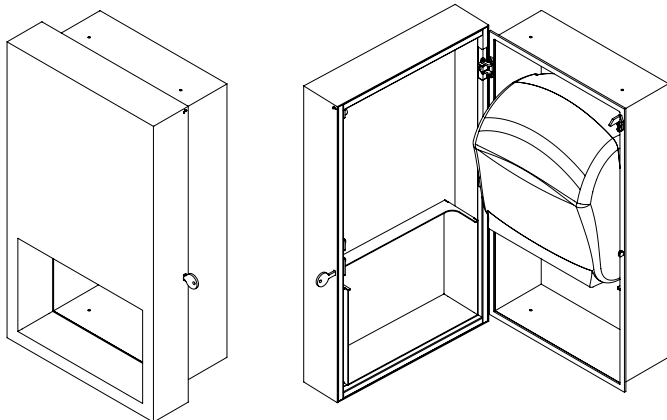
**OPERATION:**

Open touchless dispenser with provided plastic key and place recharge of paper roll.

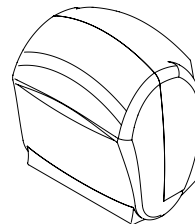
Fits standard size paper rolls up to a maximum of 7-7/8" (200 mm) diameter x 8-21/32" (220 mm) width.

**NOTE:**

On the satin finish, possible differences in the brushing are the result of the manufacturing process and must be considered acceptable. Minimal welding discontinuities must be considered acceptable.



REMOVABLE AUTOMATIC ROLL DISPENSER



OPENING KEY DETAIL



**REMOVABLE AUTOMATIC ROLL DISPENSER NOT INCLUDED**

ITEM

**GBA.105.0ETD.00**

**KEY INCLUDED**

ITEM

**GBA.100.0KEY.00**