

INFORMAZIONI TECNICHE

TECHNICAL INFORMATION

INFORMATIONS TECHNIQUES

TECHNISCHE INFORMATIE

INFORMACIÓN TÉCNICA

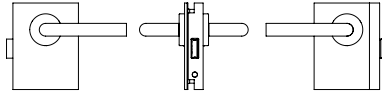
EUROPEAN FORMAT

PROGRAMMA H-GLASS HGL - LOCKSETS FOR FRAMELESS GLASS DOOR

FUNZIONE - FUNCTION - FONCTION - FUNKTION

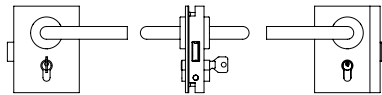
PASSAGE

senza chiave - senza pomolo
no key - no thumb turn
sans clé - sans verrou
ohne Schlüssel - ohne Knopf



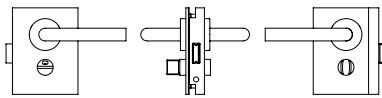
SECURITY

chiave - chiave
key - key (profile cylinder)
Clé - Clé
Schlüssel - Schlüssel

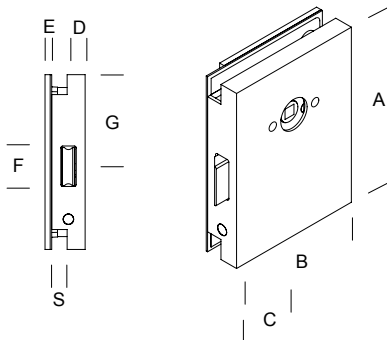


PRIVACY

pomolo - indicatore libero/occupato
thumb turn - occupancy indicator
verrou - libre/occupé
mit Knopf - mit frei/besetzt Türverriegelung

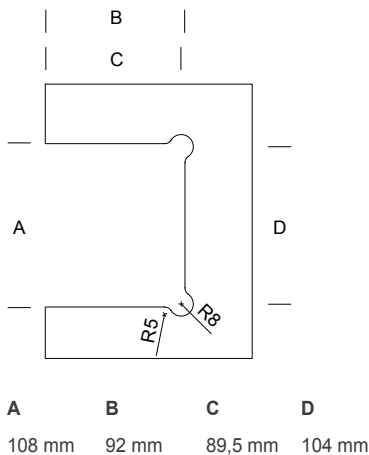


PLACCA CON SERRATURA - CASE WITH LOCK - PLAQUE AVEC SERRURE - TÜRSCHILD MIT SCHLIEßSYSTEM



ART.	◆	A	B	C	D	E	F	G	S
HGL.LCK.xx08 . xx . x		136 mm	103 mm	51,5 mm	14 mm	5 mm	32 mm	71 mm	8 mm
HGL.LCK.xx10 . xx . x		136 mm	103 mm	51,5 mm	14 mm	5 mm	32 mm	71 mm	10 mm
HGL.LCK.xx12 . xx . x		136 mm	103 mm	51,5 mm	14 mm	5 mm	32 mm	71 mm	12 mm

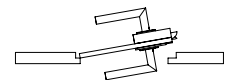
**FRESATURA SU VETRO PER SERRATURA
GLASS CUT TEMPLATE LOCK
GARNITURE SUR VERRE POUR SERRURE
GLASFRÄSUNG ZUR SCHLOßAUFNAHME**



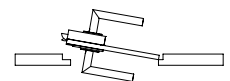
A	B	C	D
108 mm	92 mm	89,5 mm	104 mm

**VERSO DI APERTURA
OPENING DIRECTION
SENS D'OUVERTURE
OFFNUNGSRICHTUNG**

.1 DESTRO
RIGHT
DROITE
RECHTS

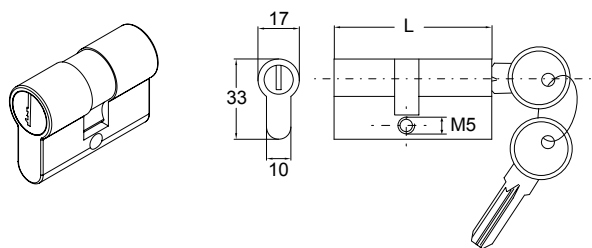


.2 SINISTRO
LEFT
GAUCHE
LINKS



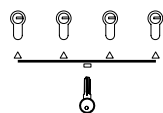
◆
. 1 DESTRO RIGHT DROITE RECHTS
. 2 SINISTRO LEFT GAUCHE LINKS

CILINDRO A PROFILO EUROPEO STANDARD NON INCLUSO - STANDARD EURO PROFILE CYLINDER NOT INCLUDED - CYLINDRE AVEC PROFIL EUROPÉEN STANDARD NON INCLUS - STANDARD EUROPÄISCHER PROFILZYLINDER

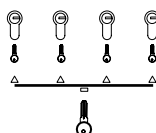


ART.	L	
HGL.CIL.0000.00	45 mm	Standard
HGL.CIL.000Y.00		Impianti Speciali Master keying Organigramme Master-schliessenanlagen

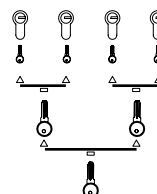
IMPIANTI SPECIALI SU RICHIESTA - MASTER KEYING ON REQUEST - ORGANIGRAMME SUR DEMANDE - AUF ANFRANGE KÖNNEN MASTER-SCHLIESSANLAGEN GEMÄSS KA-MK-GMK SYSTEMEN ANGFERTIGT WERDEN



ART. HGL.0KA.0000.00
3 chiavi per cil.
3 keys for each cyl.
3 clés pour chaque cylindre
3 Schlüssels für jeden Zylinder

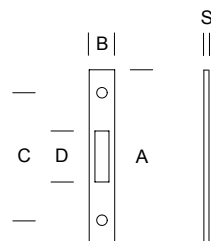


ART. HGL.0MK.0000.00
3 chiavi per cil.
3 keys for each cyl.
3 clés pour chaque cylindre
3 Schlüssels für jeden Zylinder



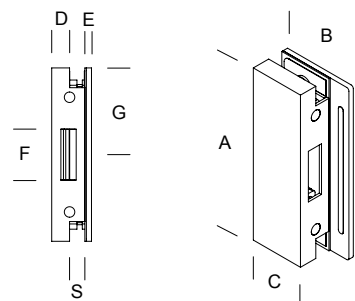
ART. HGL.GMK.0000.00
3 chiavi per cil.
3 keys for each cyl.
3 clés pour chaque cylindre
3 Schlüssels für jeden Zylinder

INCONTRO PER PROFILO - STRIKE PLATE - GÂCHE POUR PROFIL - PROFILVERBINDUNG



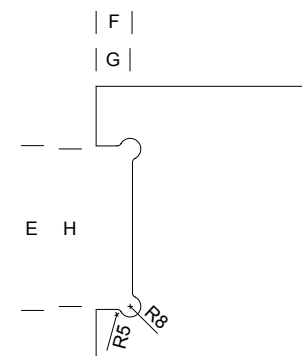
ART.	A	B	C	D	S
HGL.STK.0001.xx	136 mm	20 mm	100 mm	40 mm	2 mm

INCONTRO PER VETRO - STRIKE BOX - GÂCHE POUR VERRE - VERBINDUNG GLAS/GLAS



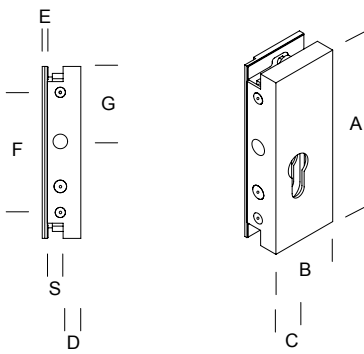
ART.	A	B	C	D	E	F	G	S
HGL.STK.0008.xx	136 mm	60 mm	43 mm	14 mm	5 mm	40 mm	68 mm	8 mm
HGL.STK.0010.xx	136 mm	60 mm	43 mm	14 mm	5 mm	40 mm	68 mm	10 mm
HGL.STK.0012.xx	136 mm	60 mm	43 mm	14 mm	5 mm	40 mm	68 mm	12 mm

FRESATURA SU VETRO PER INCONTRO - GLASS CUT TEMPLATE STRIKE BOX - GARNITURE SUR VERRE POUR GÂCHE - GLASFRÄSUNG ZUKM VERBINDEN



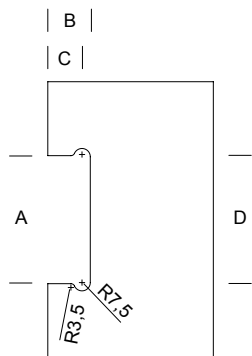
E	F	G	H
108 mm	25 mm	22,5 mm	104 mm

PLACCA CON SERRATURA SENZA MANIGLIA - CASE WITH LOCK WITHOUT LEVER HANDLE - PLAQUE AVEC SERRURE SANS POIGNÉE - TÜRSCHILD MIT SCHLISSSYSTEM OHNE TÜRDRÜCKER



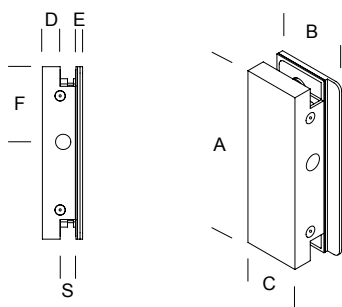
ART.	◆	A	B	C	D	E	F	G	S
HGL.LCK.SY10. xx . x		136 mm	52 mm	20 mm	14 mm	4 mm	95 mm	59 mm	10 mm
HGL.LCK.SY12. xx . x		136 mm	52 mm	20 mm	14 mm	4 mm	95 mm	59 mm	12 mm

FRESATURA SU VETRO PER SERRATURA SENZA MANIGLIA - GLASS CUT TEMPLATE LOCK WITHOUT LEVER HANDLE - GARNITURE SUR VERRE POUR SERRURE SANS POIGNÉE - GLASFRÄSUNG ZUR SCHLOßAUFNAHME OHNE TÜRDRÜCKER



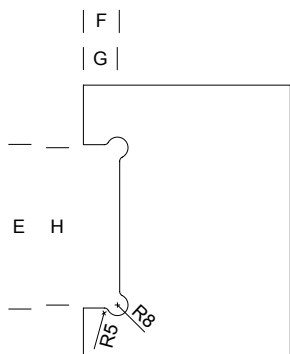
A	B	C	D
116 mm	38,5 mm	31 mm	114 mm

INCONTRO PER VETRO - STRIKE BOX - GÂCHE POUR VERRE - VERBINDUNG GLAS/GLAS



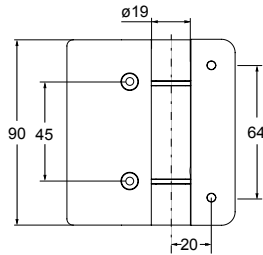
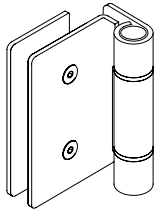
ART.	◆	A	B	C	D	E	F	S
HGL.STK.SY10. xx . x		136 mm	54 mm	43 mm	14 mm	5 mm	59 mm	10 mm
HGL.STK.SY12. xx . x		136 mm	54 mm	43 mm	14 mm	5 mm	59 mm	12 mm

FRESATURA SU VETRO PER INCONTRO - GLASS CUT TEMPLATE STRIKE BOX - GARNITURE SUR VERRE POUR GÂCHE - GLASFRÄSUNG ZUKM VERBINDEN



E	F	G	H
108 mm	25 mm	22,5 mm	104 mm

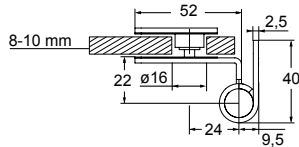
CERNIERA PER PORTA IN VETRO - HINGE FOR GLASS DOOR - CHARNIERE POUR PORTE EN VERRE - TÜRBAND FÜR GLASTÜREN



ART. HGL.501.0000. xx

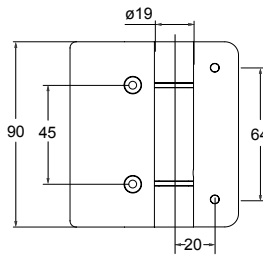
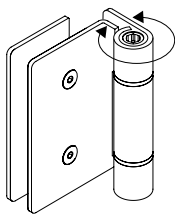
Ambidestra
Ambidextrous
Ambidextre
Beidhändig

Portata di 3 cerniere = 44 Kg
Max load for 3 hinges = 44 Kg
Chargement pour 3 charnières=44Kg
Tragfähigkeit für 3 Türbänder=44Kg



Guarnizione di protezione in dotazione
Seals for glass protection included
Joints de protection en verre inclus
Dichtungen für Glasschutz enthalten

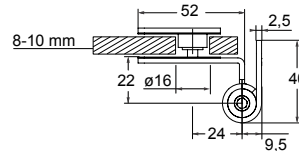
CERNIERA AUTOCHIUDENTE REGOLABILE PER PORTA IN VETRO - ADJUSTABLE SELF CLOSING HINGE FOR GLASS DOOR - CHARNIERE A FERMETURE AUTOMATIQUE REGLABLE POUR PORTE EN VERRE - TÜRBAND SELBSTSCHLIESSEND REGULIERBAR FÜR GLASTÜREN



ART. HGL.502.0000.xx

Ambidestra
Ambidextrous
Ambidextre
Beidhändig

Portata di 3 cerniere = 44 Kg
Max load for 3 hinges = 44 Kg
Chargement pour 3 charnières=44Kg
Tragfähigkeit für 3 Türbänder=44Kg



Guarnizione di protezione in dotazione
Seals for glass protection included
Joints de protection en verre inclus
Dichtungen für Glasschutz enthalten

PVD

- solo su articoli selezionati ●
- viti con finitura acciaio inox
- battente serratura con finitura in Nickel

PVD

- only on selected articles ●
- screws with stainless steel finishing
- rabbet in Nickel finishing

PVD

- uniquement sur des articles sélectionnés ●
- vis avec finition acier inoxydable
- recouvrement finition nickelée

PVD

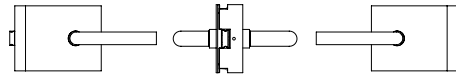
- nur für selktierte Artikeln ●
- Schrauben in Edelstahl Ausführung
- schlossfalz in Nickel Ausführung

PROGRAMMA H-GLASS HGO - LOCKSETS FOR FRAMELESS GLASS DOOR

FUNZIONI - FUNCTIONS - FONCTIONS - FUNKTIONEN - FUNCTIE

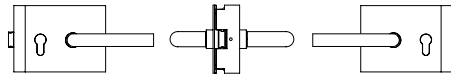
PASSAGE

senza chiave - senza pomolo
no key - no thumb turn
sans clé - sans verrou
ohne Schlüssel - ohne Knopf
zonder sleutel - zonder deurknop

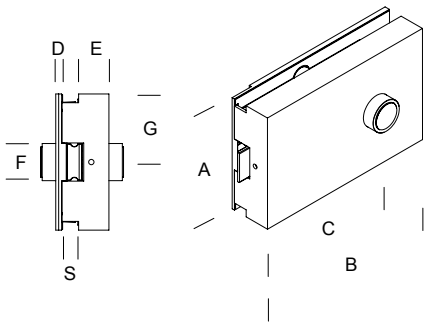


SECURITY

chiave - chiave
key - key (profile cylinder)
Clé - Clé
Schlüssel - Schlüssel
Sleutel - Sleutel

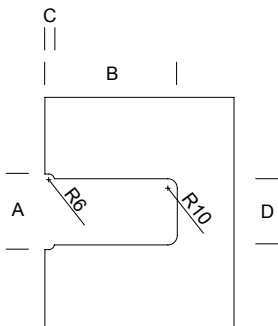


PLACCA CON SERRATURA - CASE WITH LOCK - PLAQUE AVEC SERRURE - TÜRSCHILD MIT SCHLIEßSYSTEM - SCHILD MET SLOT



A	B	C	D	E	F	G	F	S
90 mm 3 35/64"	145 mm 5 11/16"	102 mm 4" 1/64	4 mm 5/32"	20 mm 25/32"	2 mm 5/64"	45 mm 1 25/32"	Ø 24,5 63/64"	10 mm 25/64"
90 mm 3 35/64"	145 mm 5 11/16"	102 mm 4" 1/64	4 mm 5/32"	18 mm 45/64"	2 mm 5/64"	45 mm 1 25/32"	Ø 24,5 63/64"	12 mm 15/32"

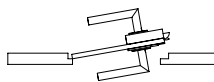
FRESATURA SU VETRO PER SERRATURA - GLASS CUT TEMPLATE LOCK - GARNITURE SUR VERRE POUR SERRURE - GLASFRÄSUNG ZUR SCHLÖßAUFNAHME - UITSPARING IN GLAS VOOR SLOT



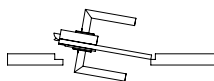
A	B	C	D
80 mm 3 5/32"	140 mm 5 1/2"	10 mm 25/64"	70 mm 2 3/4"

VERSO DI APERTURA - OPENING DIRECTION - SENS D'OUVERTURE - OFFNUNGSRICHTUNG - OPENINGSRICHTING (DIN 107)

.1 DESTRO
RIGHT
DROITE
RECHTS
RECHTS

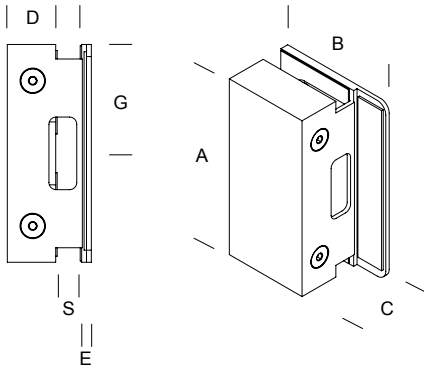


.2 SINISTRO
LEFT
GAUCHE
LINKS
LINKS



. 1 RIGHT - DESTRO
. 2 LEFT - SINISTRO

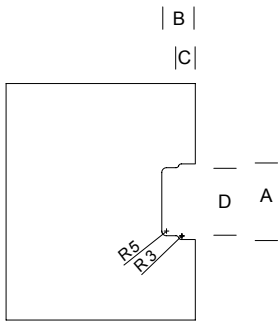
INCONTRO PER VETRO - STRIKE BOX - GÂCHE POUR VERRE - VERBINDUNG GLAS/GLAS - SLUITPLAAT VOOR GLAS



ART	A	B	C	D	E	G	S
HGO.STK.0010. xx	90 mm 3 35/64"	60 mm 2 23/64"	35 mm 1 3/8"	20 mm 25/32"	4 mm 5/32"	45 mm 1 25/32"	10 mm 25/64"
HGO.STK.0012. xx	90 mm 3 35/64"	60 mm 2 23/64"	35 mm 1 3/8"	18 mm 45/64"	4 mm 5/32"	45 mm 1 25/32"	12 mm 15/32"

Incontro per Vetro Non Incluso
Strike Box Not Included
Gâche Pour Verre Non Inclus
Verbindung Glas/Glas Nicht Enthalten

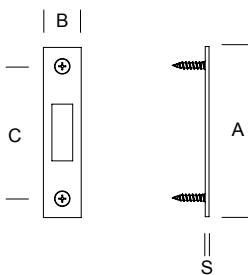
FRESATURA SU VETRO PER INCONTRO - GLASS CUT TEMPLATE STRIKE BOX - GARNITURE SUR VERRE POUR GÂCHE - GLASFRÄSUNG ZUKM VERBINDEN - UITSPARING IN GLAS VOOR SLUITPLAAT



A	B	C	D
80 mm 3 5/32"	38 mm 1 1/2"	20 mm 25/32"	72 mm 2 53/64"

- ◆ . 1 DESTRO RIGHT DROITE RECHTS
- . 2 SINISTRO LEFT GAUCHE LINKS

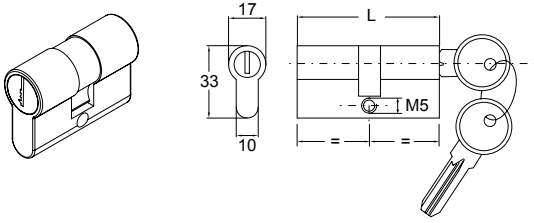
INCONTRO PER PROFILO - STRIKE PLATE - GÂCHE POUR PROFIL - PROFILVERBINDUNG - SLUITPLAAT VOOR PROFIEL




ART	A	B	C	S
HGO.STK.0001. xx	90 mm 3 35/64"	20 mm 25/32"	70 mm 2 3/4"	2 5/64"

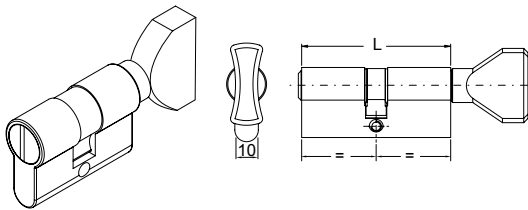
Incontro per Profilo Non Incluso
Strike Plate Not Included
Gâche Pour Profil Non Inclus
Profilverbindung Nicht Enthalten

CILINDRO A PROFILO EUROPEO STANDARD CHIAVE-CHIAVE - STANDARD EURO PROFILE CYLINDER KEY-KEY - CYLINDRE AVEC PROFIL EUROPÉEN STANDARD CLÉ-CLÉ - STANDARD EUROPÄISCHER PROFILZYLINDER SHLÜSSEL-SHLÜSSEL



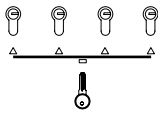
ART.	L		
HGL.CIL.0000.00	45 mm	Standard	Cilindro Non Incluso Cylinder Not Included Le Cylindre N'est Pas Inclus Der Zylinder Ist Nicht Enthalten
HGL.CIL.000Y.00		Cilindro europeo con scheda di sicurezza Europrofile cylinder with security card Cylindre avec profil européen avec carte de sécurité Zylinder europäisches Profil mit Sicherheitskarte	Cilindro Non Incluso Cylinder Not Included Le Cylindre N'est Pas Inclus Der Zylinder Ist Nicht Enthalten

CILINDRO A PROFILO EUROPEO CON POMOLO E INTAGLIO A MONETA PER EMERGENZA ESTERNO, PER PORTA WC. FINITURA NICHELATA
THUMBTURN PROFILE CYLINDER WITH EXTERNAL EMERGENCY COIN LOCK, FOR WC DOOR, NICKEL FINISHED
CYLINDRE AVEC PROFIL EUROPÉEN AVEC VERROU A PIÈCES DE MONNAIE EXTERIEUR DE SECURITE, POUR PORTE WC, FINITION NICKEL
WC-KNAUFZYLINDER EUROPÄISCHES PROFIL MIT MÜNZSCHLOSS, OBERFLÄCHE VERNICKELT

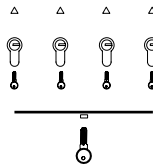


ART.	L	
HGL.CIL.00CH.00	56 mm	Cilindro Non Incluso Cylinder Not Included Le Cylindre N'est Pas Inclus Der Zylinder Ist Nicht Enthalten

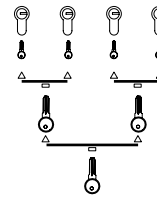
IMPIANTI SPECIALI SU RICHIESTA - MASTER KEYING ON REQUEST - ORGANIGRAMME SUR DEMANDE - AUF ANFRANGE KÖNNEN MASTER-SCHLISSANLAGEN GEMÄSS KA-MK-GMK SYSTEMEN ANGFERTIGT WERDEN - SPECIALE SLUITPLANNEN OP AANVRAAG



ART. HGL.0KA.0000.00
3 chiavi per cil.
3 keys for each cyl.
3 clés pour chaque cylindre
3 Schlüssels für jeden Zylinder



ART. HGL.0MK.0000.00
3 chiavi per cil.
3 keys for each cyl.
3 clés pour chaque cylindre
3 Schlüssels für jeden Zylinder



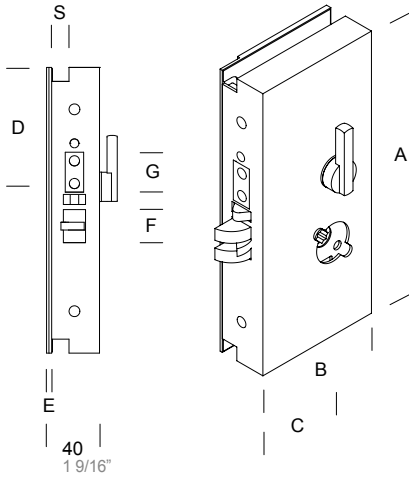
ART. HGL.GMK.0000.00
3 chiavi per cil.
3 keys for each cyl.
3 clés pour chaque cylindre
3 Schlüssels für jeden Zylinder

US FORMAT

**PROGRAMMA H-GLASS HGU
LOCKSETS FOR FRAMELESS GLASS DOOR**

ANSI CODE - FUNCTION	<div style="display: flex; justify-content: space-around; align-items: center;"> OUTSIDE INSIDE </div>	OPERATION
F01 - PASSAGE		LATCHBOLT OPERATED BY LEVER FROM EITHER SIDE AT ALL TIMES
F04 - OFFICE / CORRIDOR		LATCHBOLT OPERATED BY LEVER FROM EITHER SIDE, EXCEPT WHEN OUTSIDE LEVER IS LOCKED BY STOP BUTTONS. UNLOCK BY KEY OUTSIDE OR LEVER INSIDE.
F04 + F13 - OFFICE / ENTRY		LATCHBOLT OPERATED BY LEVER FROM EITHER SIDE, EXCEPT WHEN OUTSIDE LEVER IS LOCKED BY KEY OR THUMBTURN FROM INSIDE. UNLOCK BY KEY OUTSIDE OR THUMBTURN / LEVER FROM INSIDE.
F05 - CLASSROOM		LATCHBOLT OPERATED BY LEVER FROM EITHER SIDE, EXCEPT WHEN OUTSIDE LEVER IS LOCKED BY OUTSIDE KEY. UNLOCK BY KEY OUTSIDE OR LEVER INSIDE.
F07 - STOREROOM		LATCHBOLT OPERATED BY KEY OUTSIDE OR BY OPERATING LEVER INSIDE. OUTSIDE LEVER IS ALWAYS INOPERATIVE.
F13 - DORMITORY		LATCHBOLT OPERATED BY LEVER FROM EITHER SIDE, EXCEPT WHEN OUTSIDE LEVER IS LOCKED BY KEY OR THUMBTURN FROM INSIDE AND THE DEADBOLT IS PROJECTED. UNLOCK BY KEY OUTSIDE OR THUMBTURN OR LEVER FROM INSIDE WHICH RETRACT BOTH BOLTS SIMULTANEOUSLY.
F19 - PRIVACY		LATCHBOLT OPERATED BY LEVER FROM EITHER SIDE, EXCEPT WHEN OUTSIDE LEVER IS LOCKED BY INSIDE THUMBTURN AND THE DEADBOLT IS PROJECTED. UNLOCK BY KEY OUTSIDE OR LEVER FROM INSIDE WHICH RETRACT BOTH BOLTS SIMULTANEOUSLY.

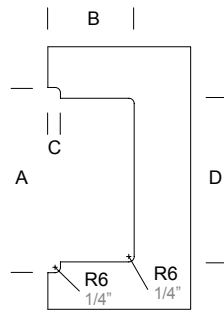
PLATE WITH MORTISE LOCK
PLACCA CON SERRATURA



ART.	◆	A	B	C	D	E	F	G	S
HGU.LCK.xx09 . xx x		225 mm 8 27/32"	100 mm 4"	64,5 mm 2 35/64"	94 mm 3 45/64"	4 mm 5/32"	26 mm 1 1/32"	31,5 mm 1 15/64"	9 mm 3/8"
HGU.LCK.xx10 . xx x		225 mm 8 27/32"	100 mm 4"	64,5 mm 2 35/64"	94 mm 3 45/64"	4 mm 5/32"	26 mm 1 1/32"	31,5 mm 1 15/64"	10 mm 25/64"
HGU.LCK.xx12 . xx x		225 mm 8 27/32"	100 mm 4"	64,5 mm 2 35/64"	94 mm 3 45/64"	4 mm 5/32"	26 mm 1 1/32"	31,5 mm 1 15/64"	12 mm 15/32"
HGU.LCK.xx13 . xx x		225 mm 8 27/32"	100 mm 4"	64,5 mm 2 35/64"	94 mm 3 45/64"	4 mm 5/32"	26 mm 1 1/32"	31,5 mm 1 15/64"	12,7 mm 1/2"

- ◆ . 1 LEFT HAND (LH)
- ◆ . 2 RIGHT HAND (RH)
- ◆ . 3 LEFT HAND REVERSE (LHR)
- ◆ . 4 RIGHT HAND REVERSE (RHR)

GLASS CUT TEMPLATE
FRESATURA SU VETRO PER SERRATURA



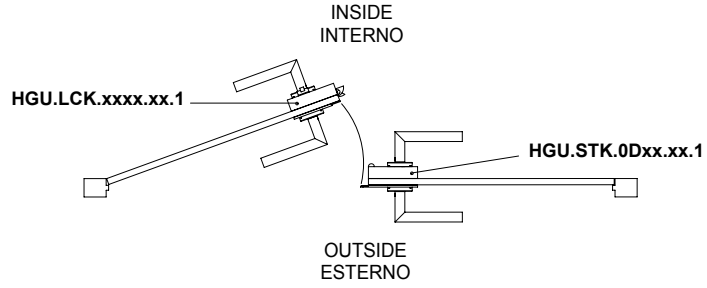
A	B	C	D
206 mm 8 1/8"	94 mm 3 45/64"	14 mm 9/16"	182 mm 7 11/64"

OPENING DIRECTION
VERSO DI APERTURA (according to North American standard)

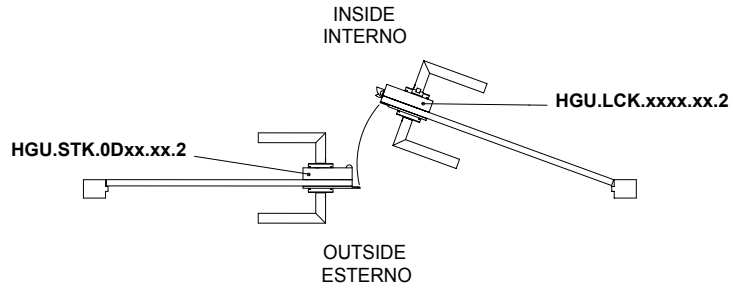


HGU LOCK + STRIKE BOX WITH DUMMY LEVERS

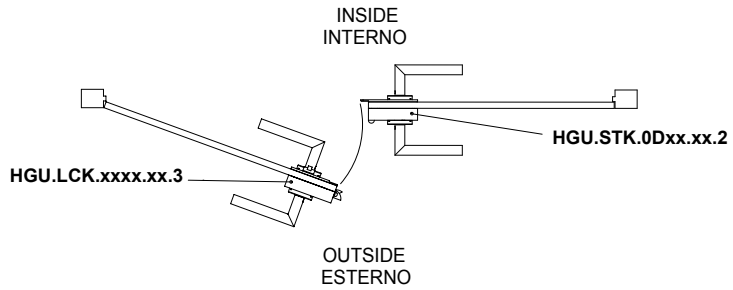
USA: LH
PBA: .1



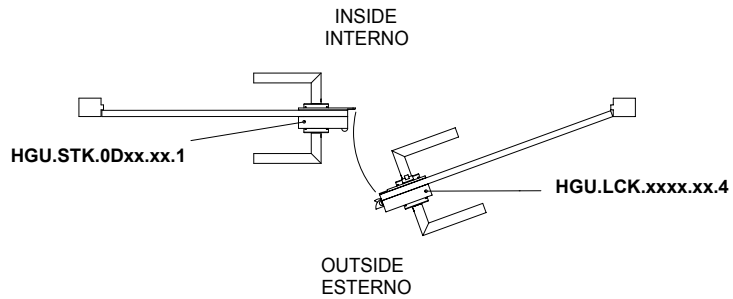
USA : RH
PBA : .2



USA : LHR
PBA : .3

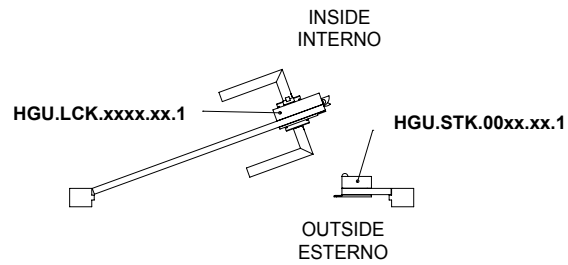


USA : RHR
PBA : .4

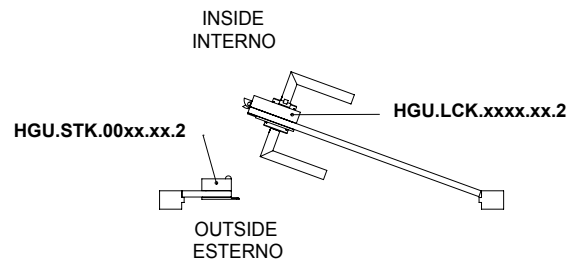


HGU LOCK + STRIKE BOX

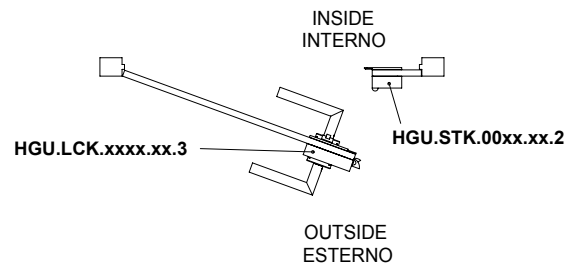
USA: LH
PBA: .1



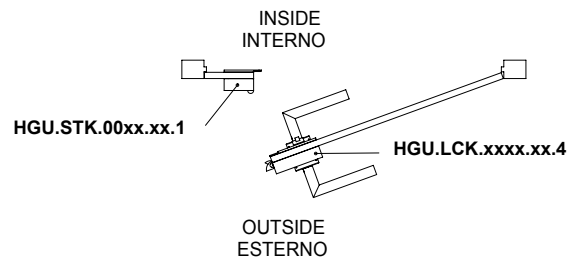
USA : RH
PBA : .2



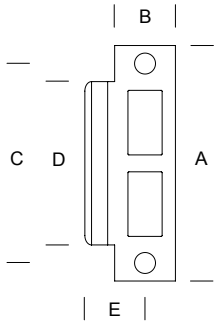
USA : LHR
PBA : .3



USA : RHR
PBA : .4



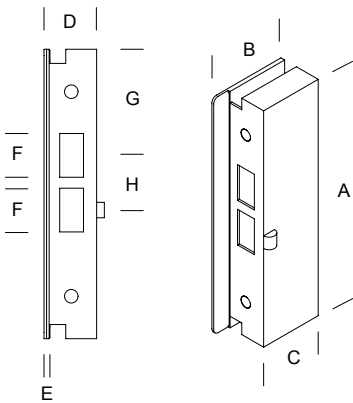
**STRIKE PLATE FOR WOOD / ALUMINUM PROFILE
INCONTRO PER PROFILO**



ART.	A	B	C	D	E
HGU.STK.0001. xx *	124 mm 4 7/8"	32 mm 1 1/4"	105 mm 4 1/8"	86 mm 3 3/8"	32 mm 1 1/4"

* INCLUDED WITH LOCK
IN DOTAZIONE CON SERRATURA

**STRIKE BOX FOR GLASS
INCONTRO PER VETRO**

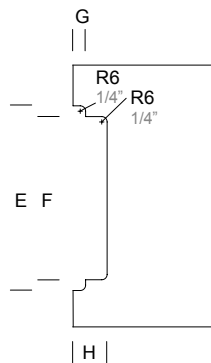


ART.	◆	A	B	C	D	E	F	G	H
HGU.STK.0009. xx x		225 mm 8 27/32"	76 mm 3"	60 mm 2 23/64"	40 mm 1 9/16"	4 mm 5/32"	34 mm 1 11/32"	82,5 mm 3 1/4"	42,5 mm 1 43/64"
HGU.STK.0010. xx x		225 mm 8 27/32"	76 mm 3"	60 mm 2 23/64"	40 mm 1 9/16"	4 mm 5/32"	34 mm 1 11/32"	82,5 mm 3 1/4"	42,5 mm 1 43/64"
HGU.STK.0012. xx x		225 mm 8 27/32"	76 mm 3"	60 mm 2 23/64"	40 mm 1 9/16"	4 mm 5/32"	34 mm 1 11/32"	82,5 mm 3 1/4"	42,5 mm 1 43/64"
HGU.STK.0013. xx x		225 mm 8 27/32"	76 mm 3"	60 mm 2 23/64"	40 mm 1 9/16"	4 mm 5/32"	34 mm 1 11/32"	82,5 mm 3 1/4"	42,5 mm 1 43/64"

◆
. 2 RH / LHR

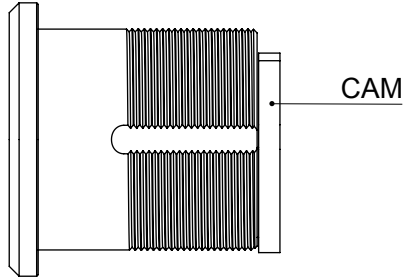
◆
. 1 LH / RHR
. 2 RH / LHR

**GLASS CUT TEMPLATE STRIKE BOX
FRESATURA SU VETRO PER INCONTRO**



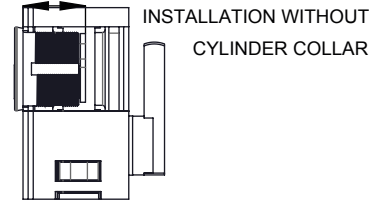
E	F	G	H
206 mm 8 1/8"	182 mm 7 11/64"	14 mm 9/16"	38 mm 1 1/2"

MORTISE CYLINDERS SUITABLE FOR HGU

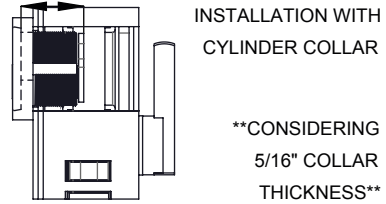


RECOMMENDED LENGHT:
(FOR HGU)

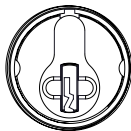
L=15/16"



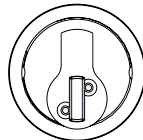
L=1"



SUITABLE CAMS

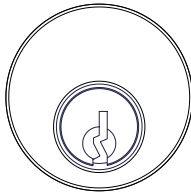


YA / YB

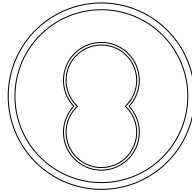


STRAIGHT

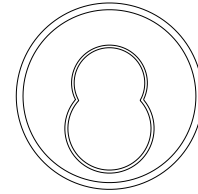
FORMATS



CONVENTIONAL



HOUSING FOR SFIC



HOUSING FOR LFIC

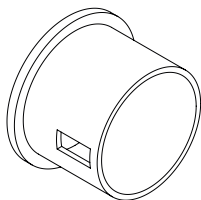


SFIC CORE
(compatible with any housing
regardless the brand)



LFIC CORE
(compatible only with housing
from the same brand)

COVER CAPS KIT



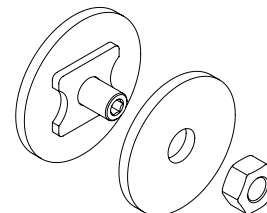
COVER CAP FOR CYLINDER HOLE

ART.

HGU.LCK.KT01.44
HGU.LCK.KT01.43
HGU.LCK.KT01.40
HGU.LCK.KT01.99

Ø

32,8 mm
1 19/64"



COVER CAP FOR THUMBTURN HOLE

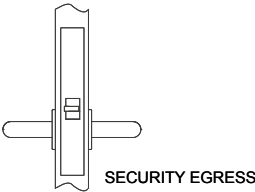
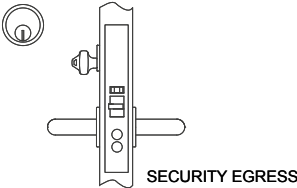
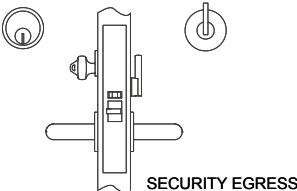
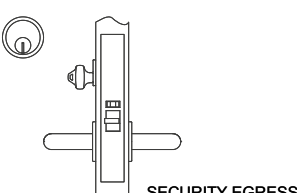
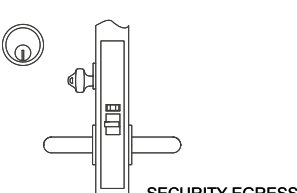
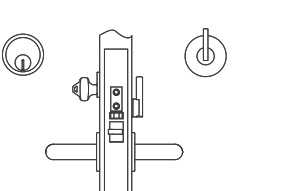
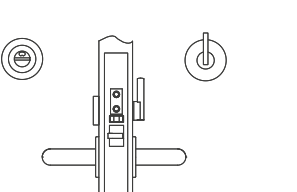
ART.

HGU.LCK.KT02.44
HGU.LCK.KT02.43
HGU.LCK.KT02.40
HGU.LCK.KT02.99

Ø

27 mm
1 1/16"

MORTISE LOCKS for WOOD OR METAL DOORS

ANSI CODE - FUNCTION PBA CODE*	<div style="display: flex; justify-content: space-around; align-items: center;"> OUTSIDE INSIDE </div>	OPERATION
<p>F01 - PASSAGE 2MM.LCK.0A00.00 - backset 2 1/2" **</p>		<p>LATCHBOLT OPERATED BY LEVER FROM EITHER SIDE AT ALL TIMES</p>
<p>F04 - OFFICE / CORRIDOR 2MM.LCK.0F00.00 - backset 2 1/2" **</p>		<p>LATCHBOLT OPERATED BY LEVER FROM EITHER SIDE, EXCEPT WHEN OUTSIDE LEVER IS LOCKED BY STOP BUTTONS. UNLOCK BY KEY OUTSIDE OR LEVER INSIDE.</p>
<p>F04 + F13 - OFFICE / ENTRY 2MM.LCK.0I00.00 - backset 2 1/2" **</p>		<p>LATCHBOLT OPERATED BY LEVER FROM EITHER SIDE, EXCEPT WHEN OUTSIDE LEVER IS LOCKED BY KEY OR THUMBTURN FROM INSIDE. UNLOCK BY KEY OUTSIDE OR THUMBTURN / LEVER FROM INSIDE.</p>
<p>F05 - CLASSROOM 2MM.LCK.0G00.00 - backset 2 1/2" **</p>		<p>LATCHBOLT OPERATED BY LEVER FROM EITHER SIDE, EXCEPT WHEN OUTSIDE LEVER IS LOCKED BY OUTSIDE KEY. UNLOCK BY KEY OUTSIDE OR LEVER INSIDE.</p>
<p>F07 - STOREROOM 2MM.LCK.0P00.00 - backset 2 1/2" **</p>		<p>LATCHBOLT OPERATED BY KEY OUTSIDE OR BY OPERATING LEVER INSIDE. OUTSIDE LEVER IS ALWAYS INOPERATIVE.</p>
<p>F13 - DORMITORY 2MM.LCK.0E00.00 - backset 2 1/2" **</p>		<p>LATCHBOLT OPERATED BY LEVER FROM EITHER SIDE, EXCEPT WHEN OUTSIDE LEVER IS LOCKED BY KEY OR THUMBTURN FROM INSIDE AND THE DEADBOLT IS PROJECTED. UNLOCK BY KEY OUTSIDE OR THUMBTURN OR LEVER FROM INSIDE WHICH RETRACT BOTH BOLTS SIMULTANEOUSLY.</p>
<p>F19 - PRIVACY 2MM.LCK.0M00.00 - backset 2 1/2" **</p>		<p>LATCHBOLT OPERATED BY LEVER FROM EITHER SIDE, EXCEPT WHEN OUTSIDE LEVER IS LOCKED BY INSIDE THUMBTURN AND THE DEADBOLT IS PROJECTED. UNLOCK BY KEY OUTSIDE OR LEVER FROM INSIDE WHICH RETRACT BOTH BOLTS SIMULTANEOUSLY.</p>

TITLE 24 COMPLIANT LEVERSET - CALIFORNIA FIRE CODE SECTION 12-10-202

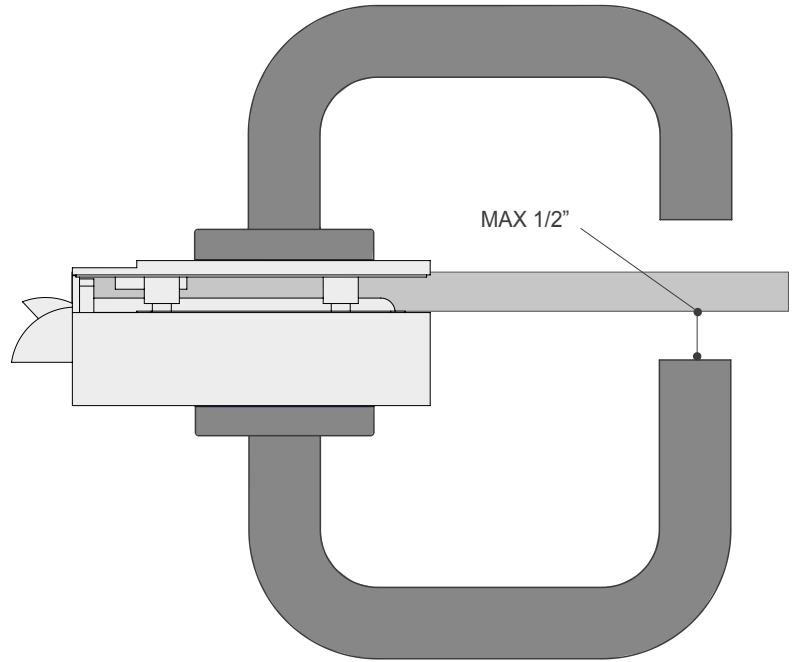
Levers. The lever of lever-actuated levers or locks shall be curved with a return to within 1/2" of the face of the door to prevent catching on the clothing of persons during egress.



TITLE 24 COMPLIANCE FOR PBA PRODUCTS

FRAMELESS GLASS DOOR WITH HGU LOCK :

- 2MM.28U.HGT4.xx
- 2MM.30B.HGT4.xx
- 2MM.28U.HGT8.xx.1(.2)
- 2MM.30U.HGT8.xx.1(.2)

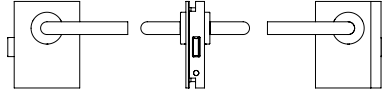


**PROGRAMMA H-GLASS HGL
LOCKSETS FOR FRAMELESS GLASS DOOR**

FUNCTION

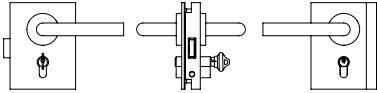
PASSAGE

no key - no thumb turn



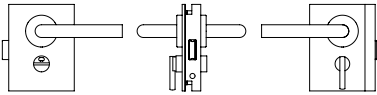
SECURITY

key - key (Schlage C Keyway)

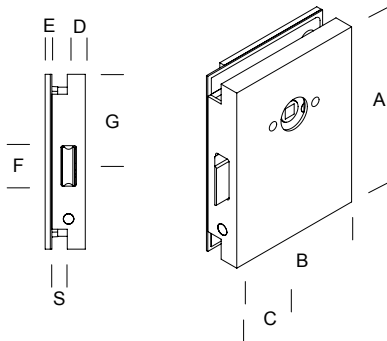


PRIVACY

thumb turn - occupancy indicator

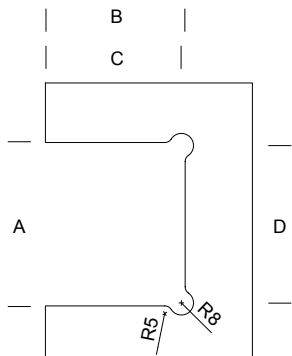


CASE WITH LOCK



ITEM	A	B	C	D	E	F	G	S
HGL.LCK.xx10 . xx . x	136 mm 5 23/64"	103 mm 4 1/16"	51,5 mm 2 1/32"	14 mm 35/64"	5,2 mm 13/64"	32 mm 1 1/4"	71,7 mm 2 53/64"	10 mm 25/64"
HGL.LCK.xx12 . xx . x	136 mm 5 23/64"	103 mm 4 1/16"	51,5 mm 2 1/32"	14 mm 35/64"	5,2 mm 13/64"	32 mm 1 1/4"	71,7 mm 2 53/64"	12 mm 15/32"

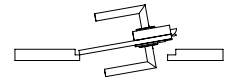
GLASS CUT TEMPLATE LOCK



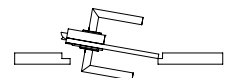
A	B	C	D
108 mm 4 1/4"	92 mm 3 5/8"	89,5 mm 3 17/32"	104 mm 4 3/32"

OPENING DIRECTION

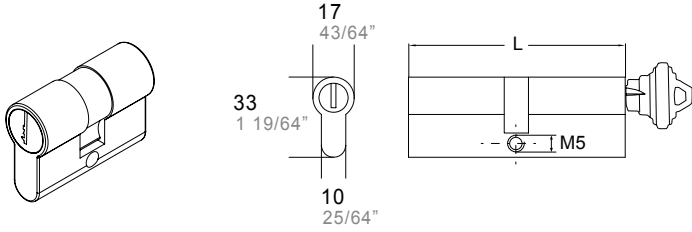
.1 RIGHT



.2 LEFT

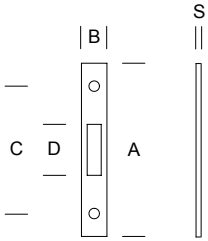


STANDARD EURO PROFILE CYLINDER NOT INCLUDED



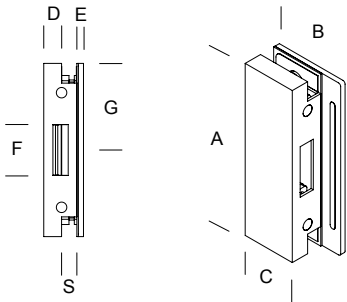
ITEM	L
HGL.CIL.0001. 00	66 mm 2 19/32"

STRIKE PLATE



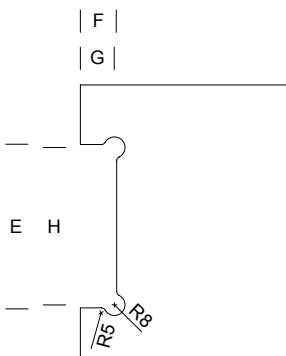
ITEM	A	B	C	D	S
HGL.STK.0001. xx	136 mm 5 23/64"	20 mm 25/32"	100 mm 3 15/16"	40 mm 1 37/64"	2 mm 5/64"

STRIKE BOX



ITEM	A	B	C	D	E	F	G	S
HGL.STK.0010. xx	136 mm 5 23/64"	60 mm 2 23/64"	43 mm 1 11/16"	14 mm 35/64"	5 mm 13/64"	40 mm 1 37/64"	68 mm 2 11/16"	10 mm 25/64"
HGL.STK.0012. xx	136 mm 5 23/64"	60 mm 2 23/64"	43 mm 1 11/16"	14 mm 35/64"	5 mm 13/64"	40 mm 1 37/64"	68 mm 2 11/16"	12 mm 15/32"

GLASS CUT TEMPLATE STRIKE BOX



E	F	G	H
108 mm 4 1/4"	25 mm 63/64"	22,5 mm 57/64"	104 mm 4 3/32"

TITLE 24 COMPLIANT LEVERSET - CALIFORNIA FIRE CODE SECTION 12-10-202

Levers. The lever of lever-actuated levers or locks shall be curved with a return to within 1/2" of the face of the door to prevent catching on the clothing of persons during egress.

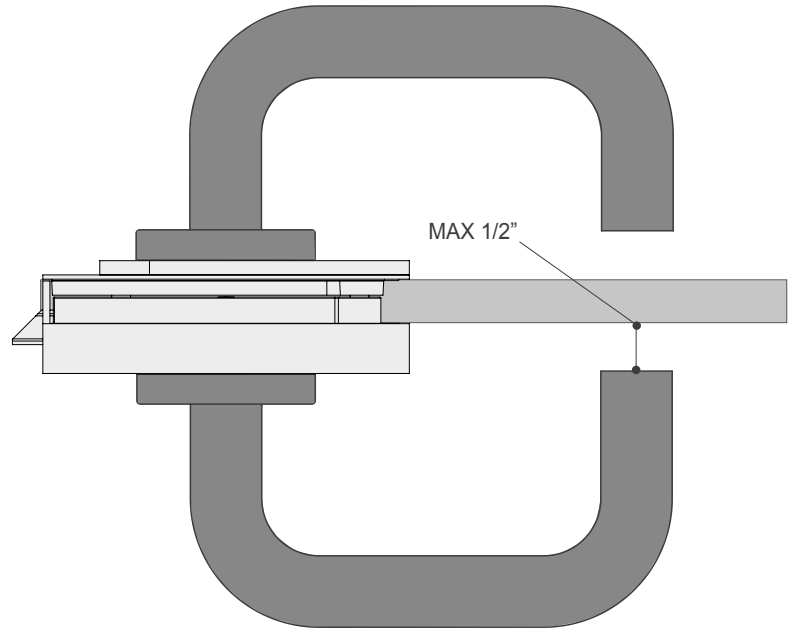


TITLE 24 COMPLIANCE FOR PBA PRODUCTS

FRAMELESS GLASS DOOR WITH HGL LOCK :

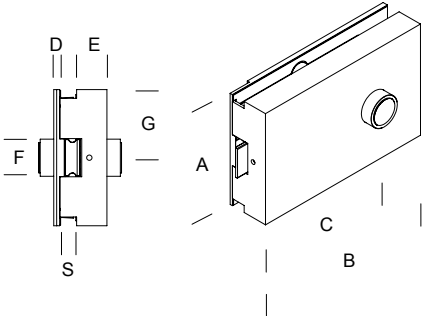
2MM.28B.HGT8.xx.1(.2)

2MM.30B.HGT8.xx.1(.2)



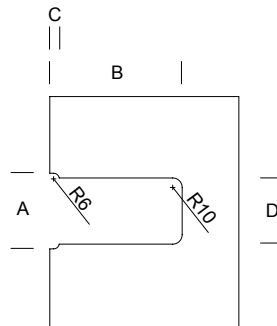
**PROGRAMMA H-GLASS HGO
LOCKSETS FOR FRAMELESS GLASS DOOR**

PLACCA CON SERRATURA - PLATE WITH LOCK



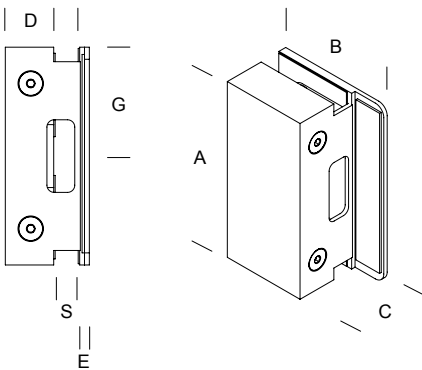
A	B	C	D	E	F	G	F	S
90 mm 3 35/64"	145 mm 5 11/16"	102 mm 4" 1/64"	4 mm 5/32"	20 mm 25/32"	2 mm 5/64"	45 mm 1 25/32"	Ø 24,5 63/64"	10 mm 25/64"
90 mm 3 35/64"	145 mm 5 11/16"	102 mm 4" 1/64"	4 mm 5/32"	18 mm 45/64"	2 mm 5/64"	45 mm 1 25/32"	Ø 24,5 63/64"	12 mm 15/32"

**FRESATURA SU VETRO PER SERRATURA
GLASS CUT TEMPLATE**



A	B	C	D
80 mm 3 5/32"	140 mm 5 1/2"	10 mm 25/64"	70 mm 2 3/4"

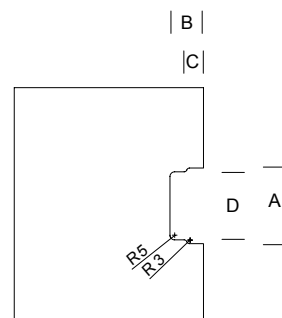
INCONTRO PER VETRO - STRIKE BOX FOR GLASS



ART	A	B	C	D	E	G	S
HGO.STK.0010. xx	90 mm 3 35/64"	60 mm 2 23/64"	35 mm 1 3/8"	20 mm 25/32"	4 mm 5/32"	45 mm 1 25/32"	10 mm 25/64"
HGO.STK.0012. xx	90 mm 3 35/64"	60 mm 2 23/64"	35 mm 1 3/8"	18 mm 45/64"	4 mm 5/32"	45 mm 1 25/32"	12 mm 15/32"

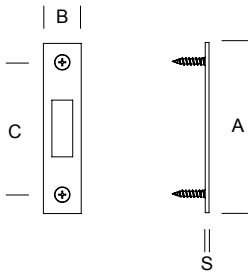
Incontro per Vetro Non Incluso
Strike Box Not Included

**FRESATURA SU VETRO PER INCONTRO
GLASS CUT TEMPLATE STRIKE BOX**



A	B	C	D
80 mm 3 5/32"	38 mm 1 1/2"	20 mm 25/32"	72 mm 2" 53/64"

INCONTRO PER PROFILO - STRIKE PLATE FOR PROFILE

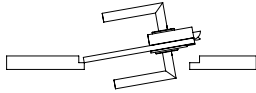


ART	A	B	C	S
HGO.STK.0001. xx	90 mm 3 35/64"	20 mm 25/32"	70 mm 2 3/4"	2 5/64"

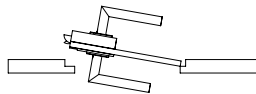
Incontro per Profilo Non Incluso
Strike Plate Not Included

VERSO DI APERTURA (DIN 107)
OPENING DIRECTION (DIN 107)

.1 DESTRO
RIGHT



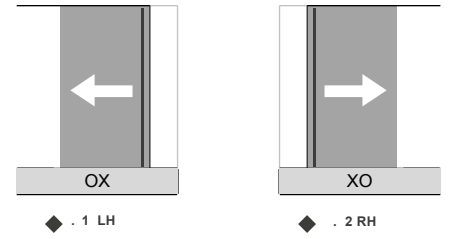
.2 SINISTRO
LEFT



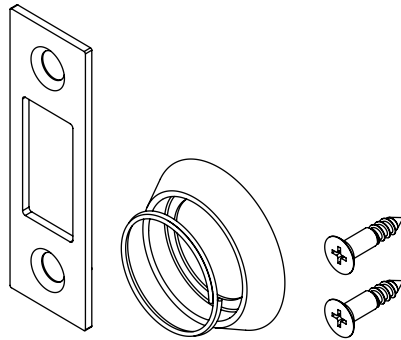
**PROGRAMMA H-GLASS HGS
LOCKSET FOR SLIDING GLASS DOORS**

SLIDING DOOR HANDING

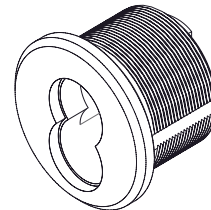
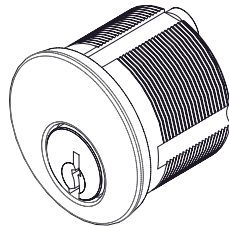
"HANDEDNESS" OF A SLIDING DOOR IS EXPRESSED AS SEEN BY AN OBSERVER OUTSIDE THE BUILDING. A LEFT-HANDED DOOR OPENS ON THE LEFT SIDE, AND A RIGHT-HANDED DOOR OPENS ON THE RIGHT. THESE RELATIONSHIPS ARE SOMETIMES DESCRIBED WITH THE LETTERS **O** AND **X**, WHERE **O** IS THE FIXED PANEL AND **X** IS THE SLIDING PANEL.



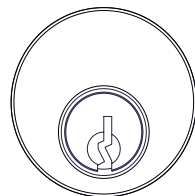
**ACCESSORIES
(INCLUDED)**



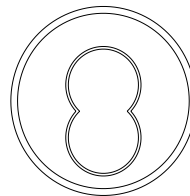
**COMPATIBLE CYLINDERS
(NOT INCLUDED)**



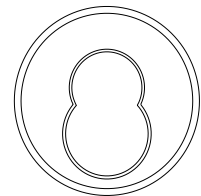
FORMATS



CONVENTIONAL



HOUSING FOR SFIC



HOUSING FOR LFIC

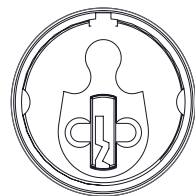


SFIC CORE
(compatible with any housing
regardless the brand)



LFIC CORE
(compatible only with housing
from the same brand)

SUITABLE CAMS



SCHLAGE "L"