

INFORMAZIONI TECNICHE

TECHNICAL INFORMATION

INFORMATIONS TECHNIQUES

TECHNISCHE INFORMATIE

INFORMACIÓN TÉCNICA

EUROPEAN FORMAT

# MANIGLIE - LEVER HANDLES - BÉQUILLES - TÜRDRÜCKER



**ROSETTE**

**Rosette tonde e ovali con molla di ritorno.**  
Sottorosetta in lega metallica e coprirosetta in acciaio inox AISI 316L.



**ROSES**

**Round and oval roses with a return spring.**  
Inner rose in metal alloy and rose cover in stainless steel AISI 316L.

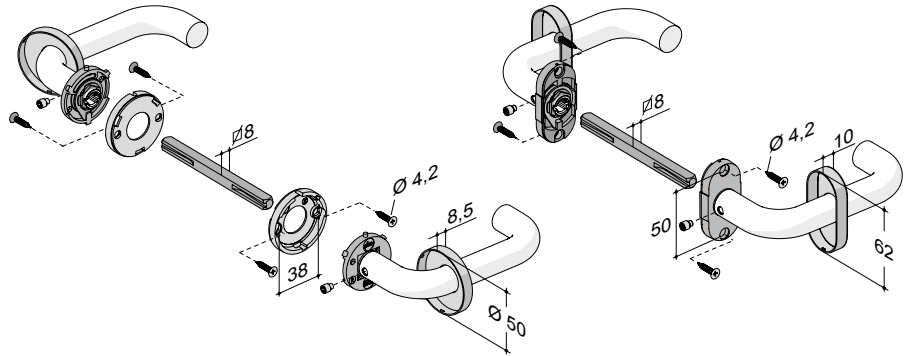


**ROSACES**

**Rosaces rondes et ovoides avec ressort de rappel.**  
Sous-construction de la rosace en alliage aluminium et cache-rosace en acier inoxydable AISI 316L.

**TÜRDRÜCKERROSETTEN**

**Drückerrossette mit Rückhofeder rund und oval.**  
Innenrossette aus metallischer Legierung.  
Abdeckkappe aus Edelstahl rostfrei 1.4404.



**ROSETTE**

**Rosette tonde e ovali basse senza molla di ritorno.**  
Sottorosetta in lega metallica e coprirosetta in acciaio inox AISI 316L.



**ROSES**

**Round and oval roses low without return spring.**  
Inner rose in metal alloy and rose cover in stainless steel AISI 316L.

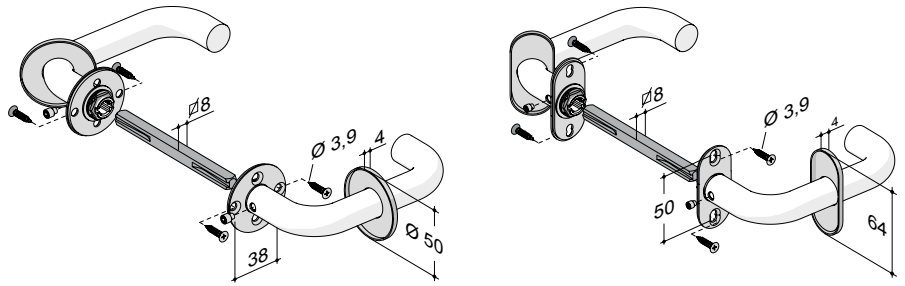


**ROSACES**

**Rosaces rondes et ovoides basses sans ressort de rappel.**  
Sous-construction de la rosace en alliage aluminium et cache-rosace en acier inoxydable AISI 316L.

**TÜRDRÜCKERROSETTEN**

**Türdrückerrossetten rund flach und oval flach ohne Rückhofeder.** Innenrossette aus metallischer Legierung.  
Abdeckkappe aus Edelstahl rostfrei 1.4404.



**ROSETTE**

**Rosette quadre con molla di ritorno.**  
Sottorosetta in lega metallica e coprirosetta in acciaio inox AISI 316L.



**ROSES**

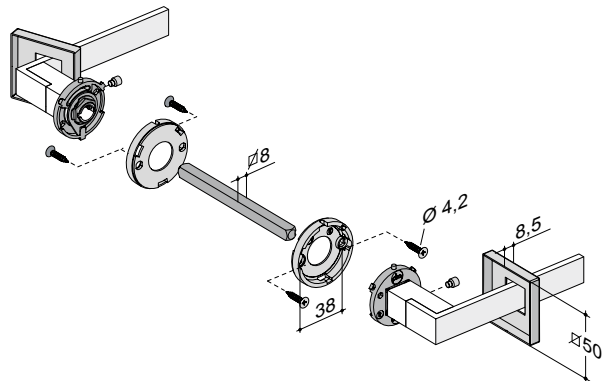
**Square roses with a return spring.**  
Inner rose in metal alloy and rose cover in stainless steel AISI 316L.

**ROSACES**

**Rosaces carrées avec ressort de rappel.**  
Sous-construction de la rosace en alliage aluminium et cache-rosace en acier inoxydable AISI 316L.

**TÜRDRÜCKERROSETTEN**

**Drückerrossette mit Rückhofeder quadratisch.**  
Innenrossette aus metallischer Legierung.  
Abdeckkappe aus Edelstahl rostfrei 1.4404.



**ROSETTE**

**Rosette tonde e ovali con cuscinetto a sfera.**  
Sottorosetta in lega metallica e coprirosetta in acciaio inox AISI 316L.



**ROSES**

**Round and oval roses with ball-bearings.**  
Inner rose in metal alloy and rose cover in stainless steel AISI 316L.

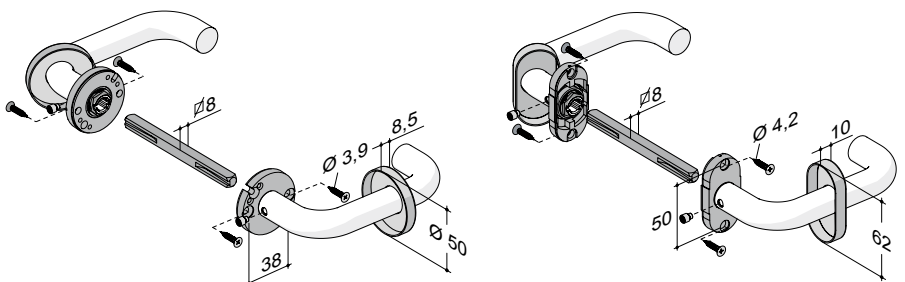


**ROSACES**

**Rosaces rondes et ovoides avec roulement à bille.**  
Sous-construction de la rosace en alliage aluminium et cache-rosace en acier inoxydable AISI 316L.

**TÜRDRÜCKERROSETTEN**

**Türdrückerrossetten rund und oval mit Kugellager.**  
Innenrossette aus metallischer Legierung.  
Abdeckkappe aus Edelstahl rostfrei 1.4404.





**ROSETTE**

Rosette tonde e ovali basse con cuscinetto a sfera. Sottorosetta in lega metallica e coprirosetta in acciaio inox AISI 316L.



**ROSES**

Round and oval roses low with ball-bearings. Inner rose in metal alloy and rose cover in stainless steel AISI 316L.

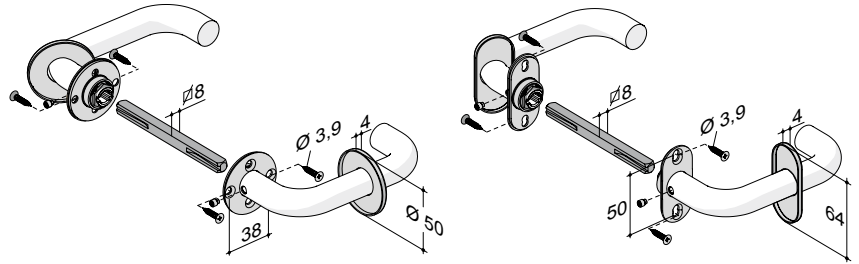


**ROSACES**

Rosaces rondes et ovales basses avec roulement à bille. Sous-construction de la rosace en alliage aluminium et cache-rosace en acier inoxydable AISI 316L.

**TÜRDRÜCKERROSETTEN**

Türdrückerrossetten rund flach und oval flach mit Kugellager. Innenrosette aus metallischer Legierung. Abdeckkappe aus Edelstahl rostfrei 1.4404.



**ROSETTE FS DIN 18 273**

Rosette in acciaio. Coprirosetta in acciaio inox AISI 316L. Il sistema rosetta-maniglia è conforme alla norma DIN 18 273 inerente porte tagliafuoco e tagliafumo.



**ROSES FS DIN 18 273**

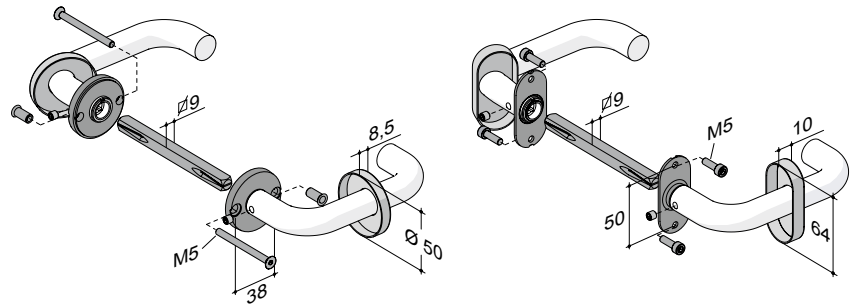
Roses in stainless steel. Rose covers in stainless steel AISI 316L. The rose-handle system complies with DIN 18 273 concerning lever handles for fire doors and smoke control doors.

**ROSACES FS DIN 18 273**

Rosaces en acier. Cache-rosaces en acier inox AISI 316L. Le système rondelle-poignée est conforme à la norme DIN 18 273 relative aux portes coupe-feu et coupe-fumée.

**TÜRDRÜCKERGARNITUREN FS DIN 18 273**

Türdrücker mit Drückerrossetten oder Türschilder und Schlüsselrossetten der Serie 2000-FS sind aus Edelstahl rostfrei 1.4404. Entsprechend der DIN 18 273. Das Prüfzeugnis liegt vor.



**PLACCHE**

Placche rettangolari-quadre con o senza cuscinetto a sfera in acciaio inox AISI 316L, spessore 2 mm. Il cuscinetto a sfera è calettato alla placca.



**PLATES**

Plates: rectangular-square with or without ball-bearings in stainless steel AISI 316L, thickness 2 mm. The ball-bearings is connected to the plate.

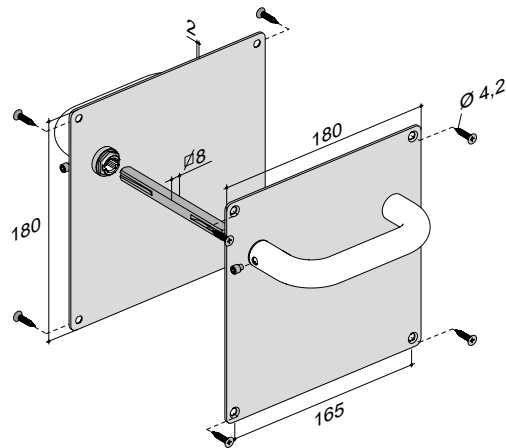


**PLAQUES**

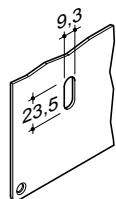
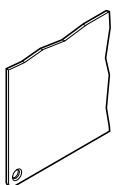
Plaques rectangulaires-carrées avec ou sans roulement à bille en acier inoxydable AISI 316L, épaisseur 2 mm. Le roulement à bille est emboîté sur la plaque.

**TÜRSCHILDER**

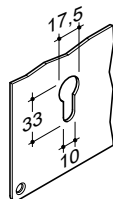
Türschilder, Breitschild, Langschild aus Edelstahl rostfrei 1.4404 mit oder ohne Kugellager, Stärke 2 mm. Das Kugellager ist fest im Türschild eingesetzt.



**FORI - HOLES - TROUS - LÖCHERN**



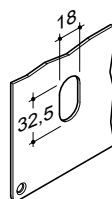
PATENT



YALE

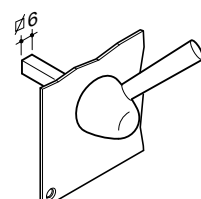


KABA

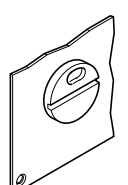


UNION

**CHIUSINO - SNIB INDICATOR - VERROUS - BADEROSETTEN**



5 - 6


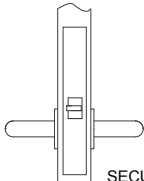
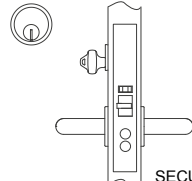
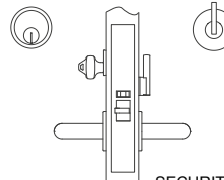
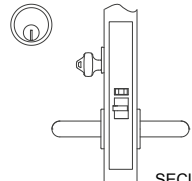
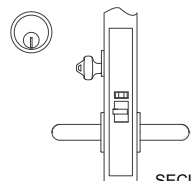
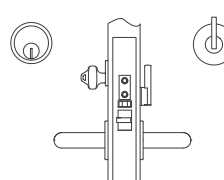
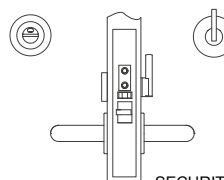


6 - 7

6 - 8

US FORMAT

**MORTISE LOCKS for WOOD OR METAL DOORS**

ANSI CODE - FUNCTION PBA CODE*	<div style="display: flex; justify-content: space-around; align-items: center;"> <span>OUTSIDE</span>  <span>INSIDE</span> </div>	OPERATION
<p><b>F01 - PASSAGE</b> 2MM.LCK.0A00.00 - backset 2 1/2" **</p>	 <p style="text-align: center;">SECURITY EGRESS</p>	<p>LATCHBOLT OPERATED BY LEVER FROM EITHER SIDE AT ALL TIMES</p>
<p><b>F04 - OFFICE / CORRIDOR</b> 2MM.LCK.0F00.00 - backset 2 1/2" **</p>	 <p style="text-align: center;">SECURITY EGRESS</p>	<p>LATCHBOLT OPERATED BY LEVER FROM EITHER SIDE, EXCEPT WHEN OUTSIDE LEVER IS LOCKED BY STOP BUTTONS. UNLOCK BY KEY OUTSIDE OR LEVER INSIDE.</p>
<p><b>F04 + F13 - OFFICE / ENTRY</b> 2MM.LCK.0I00.00 - backset 2 1/2" **</p>	 <p style="text-align: center;">SECURITY EGRESS</p>	<p>LATCHBOLT OPERATED BY LEVER FROM EITHER SIDE, EXCEPT WHEN OUTSIDE LEVER IS LOCKED BY KEY OR THUMBTURN FROM INSIDE. UNLOCK BY KEY OUTSIDE OR THUMBTURN / LEVER FROM INSIDE.</p>
<p><b>F05 - CLASSROOM</b> 2MM.LCK.0G00.00 - backset 2 1/2" **</p>	 <p style="text-align: center;">SECURITY EGRESS</p>	<p>LATCHBOLT OPERATED BY LEVER FROM EITHER SIDE, EXCEPT WHEN OUTSIDE LEVER IS LOCKED BY OUTSIDE KEY. UNLOCK BY KEY OUTSIDE OR LEVER INSIDE.</p>
<p><b>F07 - STOREROOM</b> 2MM.LCK.0P00.00 - backset 2 1/2" **</p>	 <p style="text-align: center;">SECURITY EGRESS</p>	<p>LATCHBOLT OPERATED BY KEY OUTSIDE OR BY OPERATING LEVER INSIDE. OUTSIDE LEVER IS ALWAYS INOPERATIVE.</p>
<p><b>F13 - DORMITORY</b> 2MM.LCK.0E00.00 - backset 2 1/2" **</p>	 <p style="text-align: center;">SECURITY EGRESS</p>	<p>LATCHBOLT OPERATED BY LEVER FROM EITHER SIDE, EXCEPT WHEN OUTSIDE LEVER IS LOCKED BY KEY OR THUMBTURN FROM INSIDE AND THE DEADBOLT IS PROJECTED. UNLOCK BY KEY OUTSIDE OR THUMBTURN OR LEVER FROM INSIDE WHICH RETRACT BOTH BOLTS SIMULTANEOUSLY.</p>
<p><b>F19 - PRIVACY</b> 2MM.LCK.0M00.00 - backset 2 1/2" **</p>	 <p style="text-align: center;">SECURITY EGRESS</p>	<p>LATCHBOLT OPERATED BY LEVER FROM EITHER SIDE, EXCEPT WHEN OUTSIDE LEVER IS LOCKED BY INSIDE THUMBTURN AND THE DEADBOLT IS PROJECTED. UNLOCK BY KEY OUTSIDE OR LEVER FROM INSIDE WHICH RETRACT BOTH BOLTS SIMULTANEOUSLY.</p>



**STAINLESS STEEL FACEPLATE INCLUDED IN SATIN FINISH**



**STAINLESS STEEL STRIKE PLATE INCLUDED IN SATIN FINISH**

\* Lever handles, thumbturns and cylinders not included \*\* Backset 2 3/4" available on request

**MORTISE LOCK**

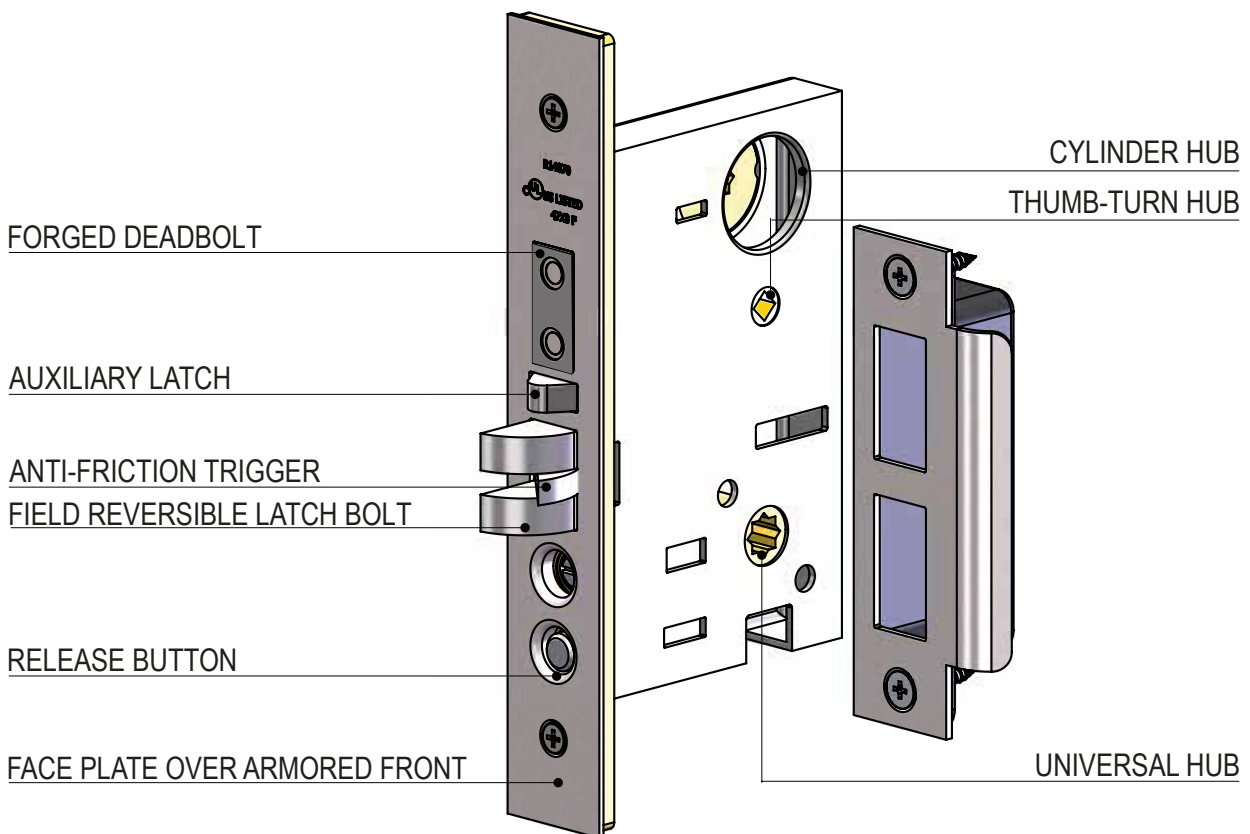
PBA 2MM.LCK SERIES MORTISE LOCKS FOR SOLID DOORS ARE ENGINEERED FOR DURABILITY AND OPTIMUM SECURITY. ALL LOCK CASES ARE CONSTRUCTED WITH QUALITY METAL WORKING PARTS, ENSURING THE LONG LASTING AND TROUBLE FREE OPERATION.

GRADE 1 ACCORDINGLY TO ANSI/BHMA 156.13 - 2005 AND UL – ULC LISTED THE 2MM.LCK MORTISE LOCKS CAN BE SPECIFIED FOR APPLICATION IN RESIDENTIAL, OFFICES, HOTELS, SCHOOLS AND COMMERCIAL BUILDINGS

AVAILABLE IN SEVEN DIFFERENT FUNCTIONS AND WITH TWO BACKSET (2 ½" AND 2 ¾") THE 2MM.LCK MORTISE LOCKS ARE EQUIPPED WITH A MECHANICAL ANTI-FRICTION LATCH BOLT AND A FULL 1" THROW DEADBOLT WITH TWO HARDENED STEEL ROLLERS FOR MAXIMUM SECURITY.

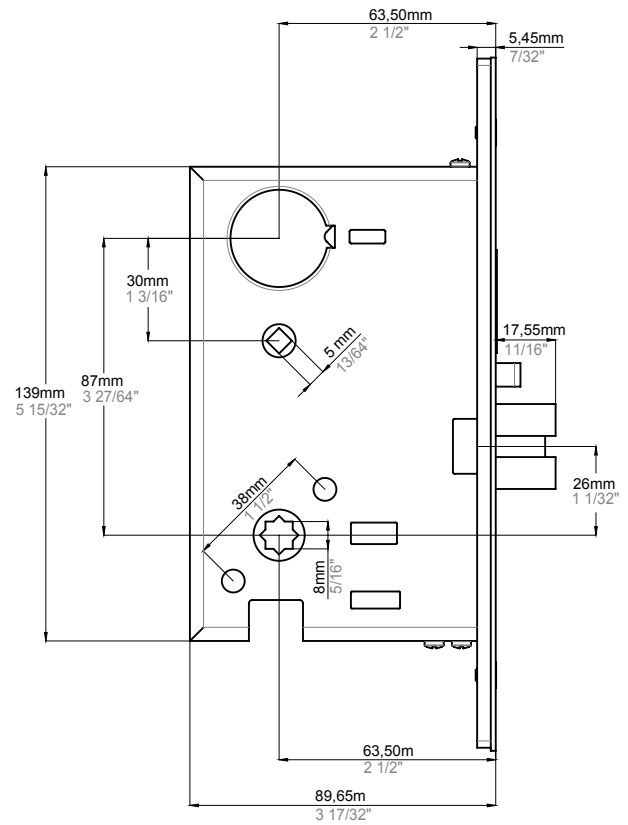
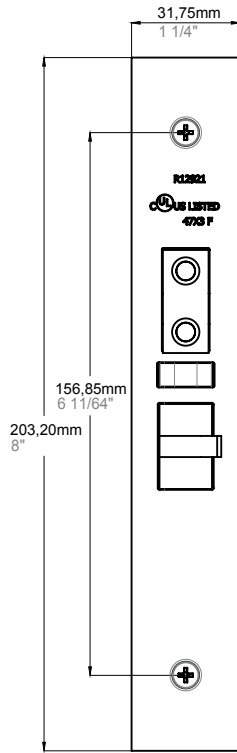
THE EXPOSED PARTS (DEADBOLT, LATCH BOLT, AUXILIARY LATCH AND BUTTONS) ARE IN FORGED BRASS AND FINISHED TO MATCH THE APPEARANCE OF THE STAINLESS STEEL FACEPLATE.

THE FIELD-REVERSIBLE DESIGN ALLOWS TO SWITCH HANDING ON SITE, WITHOUT OPENING THE LOCK CASE. 2MM.LCK MORTISE LOCKS FEATURE AN INDEPENDENT LEVER ROTATION.

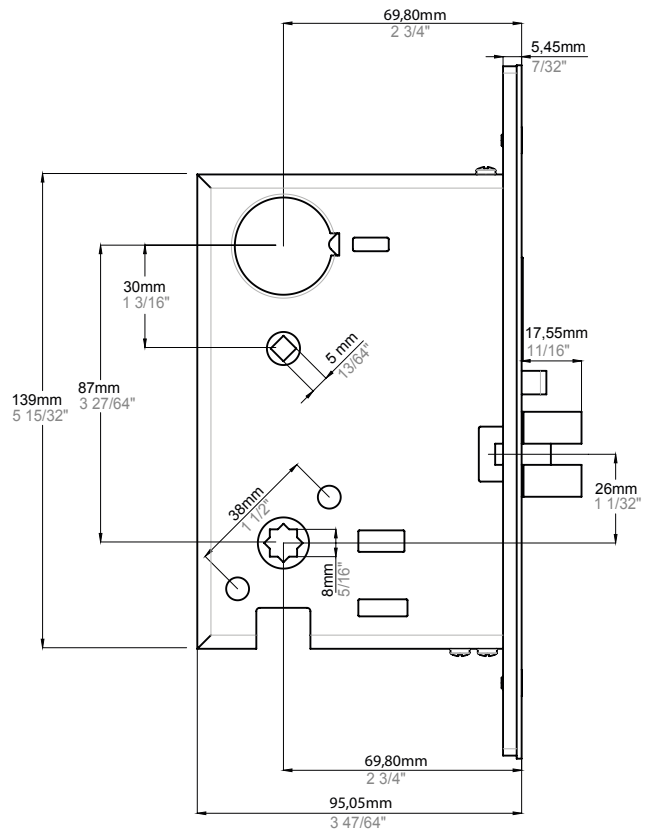
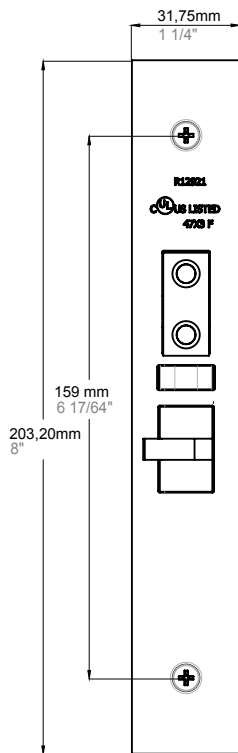


TECH SPECS

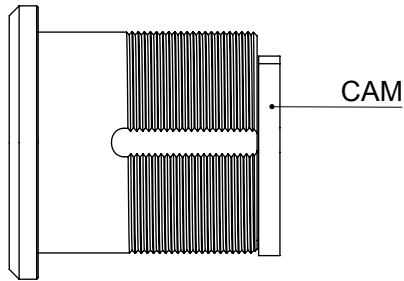
BACKSET 2 1/2  
STANDARD



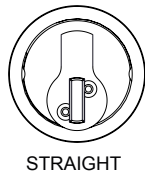
BACKSET 2 3/4  
ON REQUEST  
MOQ TO BE AGREED



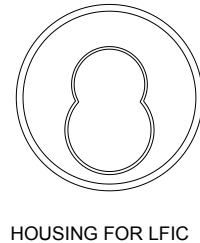
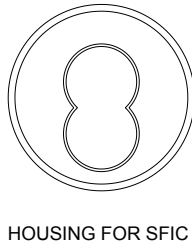
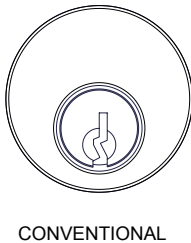
**MORTISE CYLINDERS**



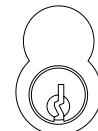
**SUITABLE CAMS**



**FORMATS**

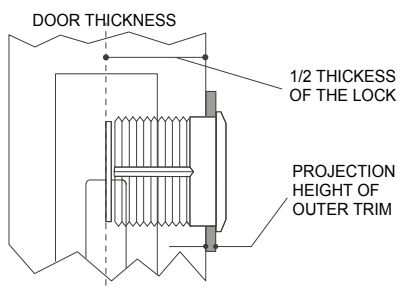


(compatible with any housing regardless the brand)

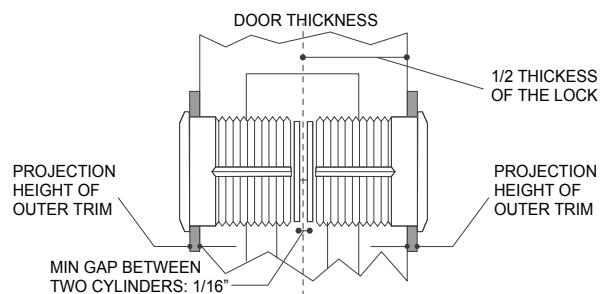


(compatible only with housing from the same brand)

**SINGLE CYLINDER INSTALLATION**



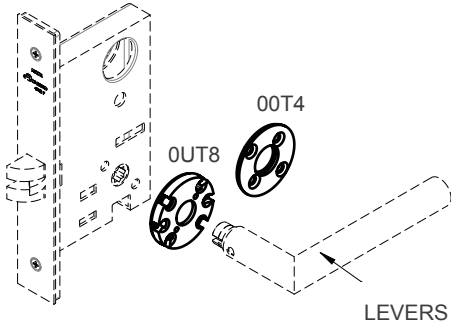
**DOUBLE CYLINDERS INSTALLATION**



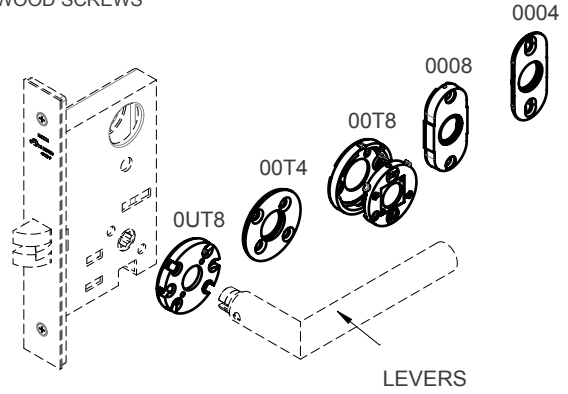
COMPATIBILITY WITH LOCKS

2MM.LCK - US MORTISE LOCK

**BTB FIXING**  
METRIC SCREWS + BUSHING

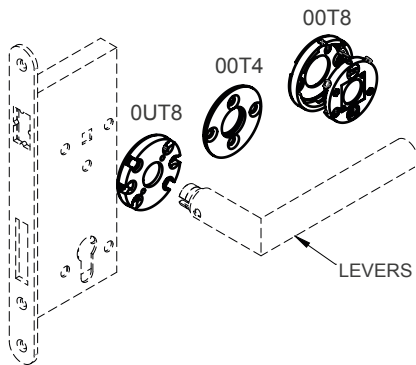


**SINGLE FIXING**  
WOOD SCREWS

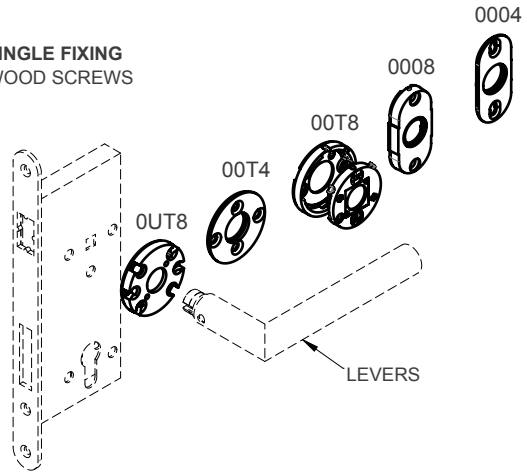


EUROPEAN MORTISE LOCK \*

**BTB FIXING**  
METRIC SCREWS + BUSHING

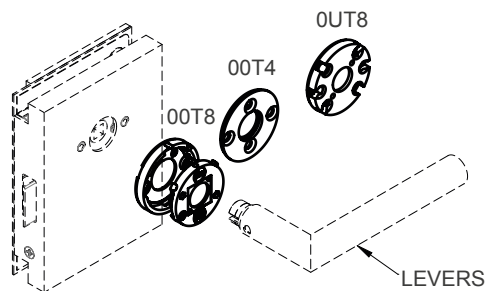
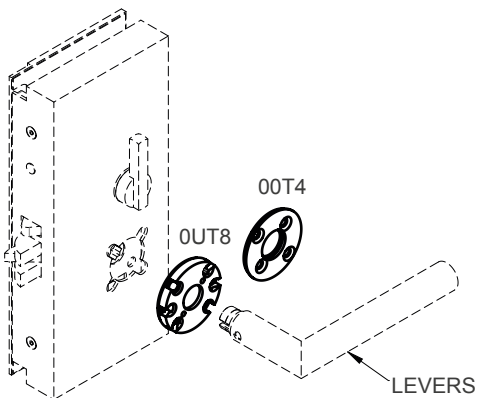


**SINGLE FIXING**  
WOOD SCREWS

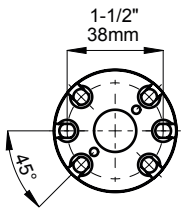


\* horizontal fixing holes

**BTB FIXING**  
METRIC SCREWS + BUSHING

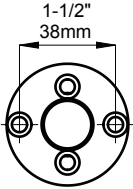
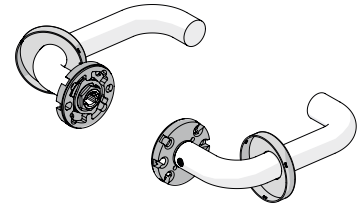


AVAILABLE TRIMS



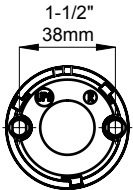
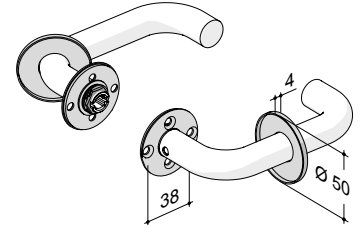
**00T8 - ROUND ROSE 8 MM THICK WITH RETURN SPRING**

SUITABLE FOR :  
SINGLE SIDE FIXING (SELF TAPPING SCREWS FOR WOOD DOOR)  
BACK TO BACK FIXING FOR LOCKSET WITH 38 mm (1-1/2")  
CTC HORIZONTAL HOLES OR 45° INCLINED HOLES



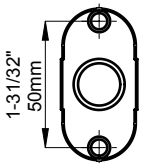
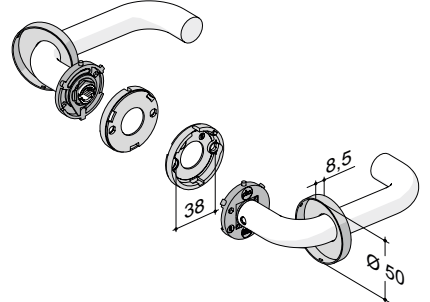
**00T4 - ROUND ROSE 4 MM THICK WITHOUT RETURN SPRING (IT ROTATES FREELY)**

SUITABLE FOR :  
SINGLE SIDE FIXING (SELF TAPPING SCREWS FOR WOOD DOOR)  
BACK TO BACK FIXING FOR LOCKSET WITH 38 mm (1-1/2")  
CTC HOLES (NO MATTER IF HORIZONTAL OR INCLINED)



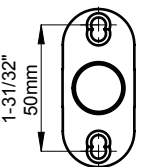
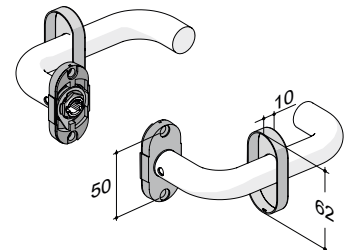
**00T8 - ROUND ROSE 8 MM THICK WITH BLOK AND ROLL SYSTEM AND RETURN SPRING**

SUITABLE FOR :  
SINGLE SIDE FIXING (SELF TAPPING SCREWS FOR WOOD DOOR)  
BACK TO BACK FIXING FOR LOCKSET WITH 38 mm (1-1/2")  
CTC HORIZONTAL HOLES



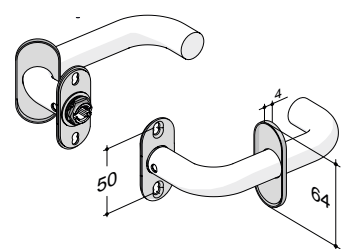
**0008 - OVAL ROSE 8 MM THICK WITH RETURN SPRING**

SUITABLE FOR :  
SINGLE SIDE FIXING (SELF TAPPING SCREWS FOR WOOD DOOR)  
BACK TO BACK FIXING FOR LOCKSET WITH 50 mm (1-31/32")  
CTC VERTICAL HOLES

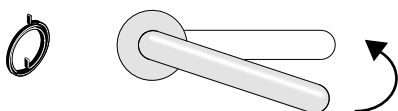


**0004 - OVAL ROSE 4 MM THICK WITHOUT RETURN SPRING (IT ROTATES FREELY)**

SUITABLE FOR :  
SINGLE SIDE FIXING (SELF TAPPING SCREWS FOR WOOD DOOR)  
BACK TO BACK FIXING FOR LOCKSET WITH 50 mm (1-31/32")  
CTC VERTICAL HOLES



HANDLE FOR MORTISE WITH RETURN SPRING



**RETURN SPRING**

The return spring brings back the lever handle in horizontal position after use

**MOLLA DI RITORNO**

La molla di ritorno riporta la leva in posizione orizzontale dopo l'utilizzo

FIXING OPTIONS

SINGLE SIDE FIXING



BACK TO BACK FIXING



SPINDLE OPTIONS

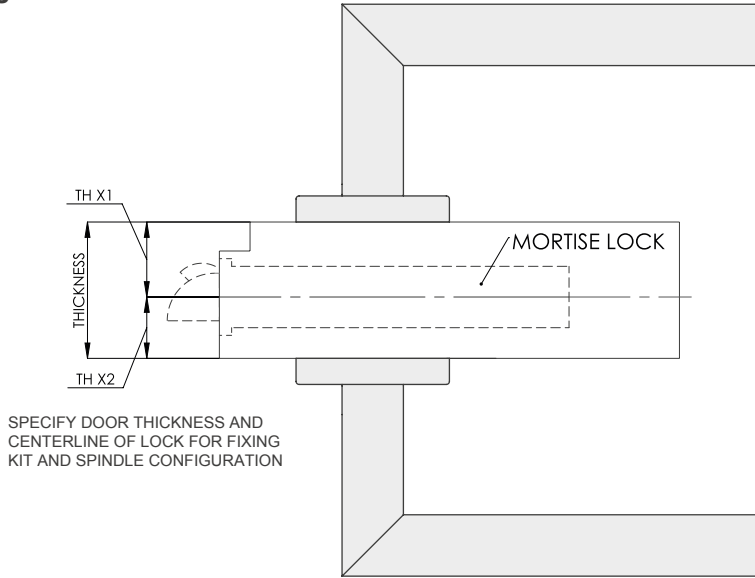
SWIVEL SPINDLE



SOLID SPINDLE



**MORTISE LOCKS**



**TITLE 24 COMPLIANT LEVERSET - CALIFORNIA FIRE CODE SECTION 12-10-202**

Levers. The lever of lever-actuated levers or locks shall be curved with a return to within 1/2" of the face of the door to prevent catching on the clothing of persons during egress.



**TITLE 24 COMPLIANCE FOR PBA PRODUCTS**

SOLID DOORS (WOOD or METAL):

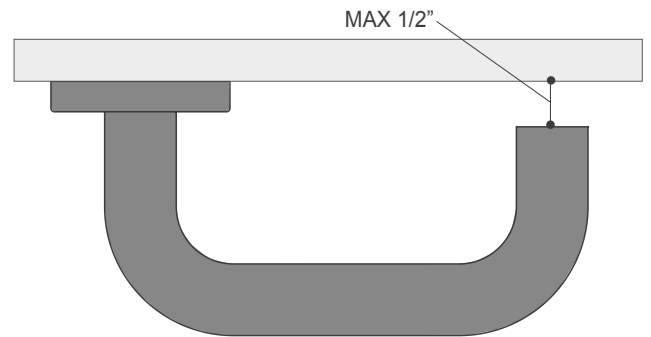
- 2MM.28B.00T4.xx GOH.031.0UT8.xx
- 2MM.30B.00T4.xx GOH.031.0UT5.xx
- 2MM.28U.0UT8.xx GOH.031.0UT6.xx
- 2MM.30B.0UT8.xx

FRAMELESS GLASS DOOR WITH HGU LOCK :

- 2MM.28U.HGT4.xx
- 2MM.30B.HGT4.xx
- 2MM.28U.HGT8.xx.1(.2)
- 2MM.30U.HGT8.xx.1(.2)

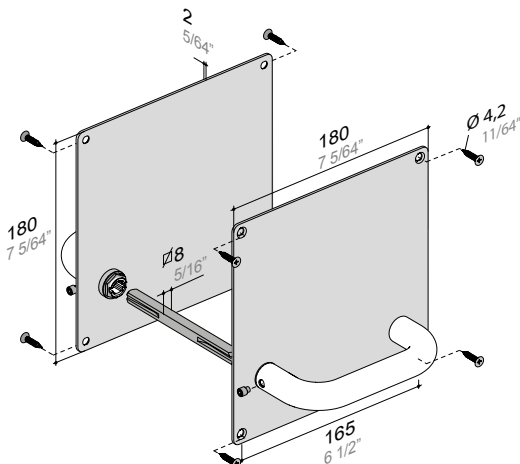
FRAMELESS GLASS DOOR WITH HGL LOCK :

- 2MM.28B.HGT8.xx.1(.2)
- 2MM.30B.HGT8.xx.1(.2)



\*SOLID DOOR TYPICAL INSTALLATION SHOWN

**HANDLE ON PLATE WITHOUT RETURN SPRING FOR MORTISE LOCKS**



**PLATES**

Plates: rectangular-square with or without ball-bearings in stainless steel AISI 316L, thickness 2 mm. The ball-bearings is connected to the plate.

**LATCH**

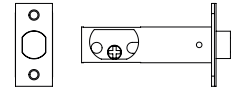
ANSI CODE - FUNCTION	ILLUSTRATION INSIDE   OUTSIDE	OPERATION
<b>F75 - PASSAGE</b>		LATCHBOLT OPERATED BY LEVER FROM EITHER SIDE AT ALL TIMES
<b>F76A - BATHROOM</b>		LATCHBOLT OPERATED BY LEVER FROM EITHER SIDE, EXCEPT WHEN OUTSIDE LEVER IS LOCKED BY PUSHING INSIDE BUTTON. EMERGENCY RELEASE THROUGH CLEARANCE HOLE ON THE OUTSIDE
<b>DUMMY</b>		BOTH LEVERS ALWAYS INOPERATIVE. NO TUBULAR LATCH INSIDE THE DOOR

**SINGLE DEADBOLT LOCK**

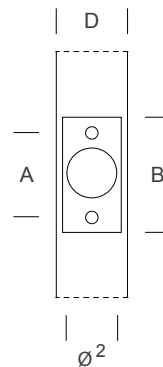
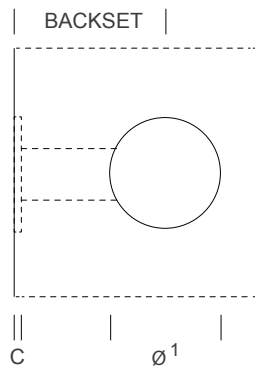
Backset 2 - 3/4" \*  
- key - thumbturn

ITEM  
**2MM.LCK.0H00.xx**

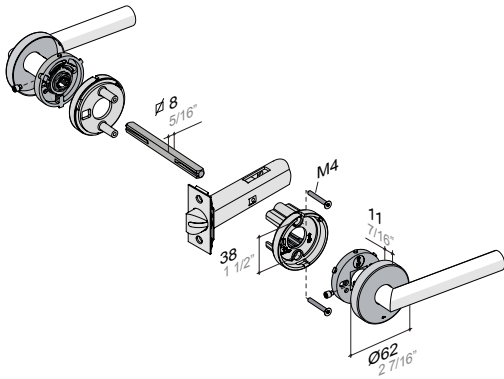
\* Other backset available



**DOOR PREPARATION AND THICKNESS (ANSI/BHMA A156.115-W-2006)**  
DOOR THICKNESS : 35 - 45 mm (1 3/8" - 1 3/4")



A	B	C	D	Ø <sup>1</sup>	Ø <sup>2</sup>
41,5 mm 1 5/8"	57,5 mm 2 1/4"	4 mm 5/32"	≥ 35 mm 1 3/8" ≤ 45 mm 1 3/4"	54 mm 2 1/8"	25,4 mm 1"



**ROSES**

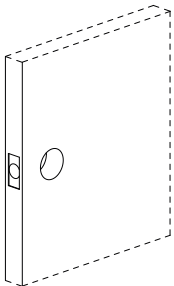
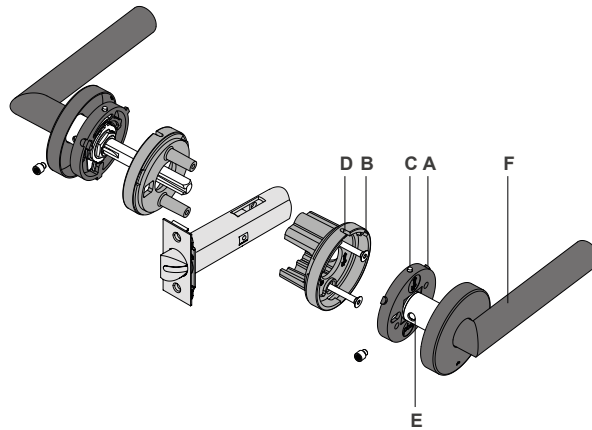
Round roses with a return spring. Inner rose in metal alloy and rose cover in stainless steel AISI 316L. Fixing system patent Block&Roll.



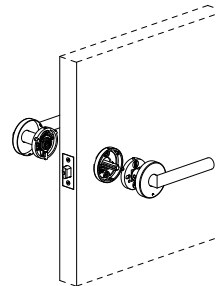
Ø 62mm  
2 7/16"



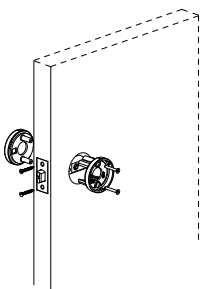
**INSTALLATION - INSTALLAZIONE**



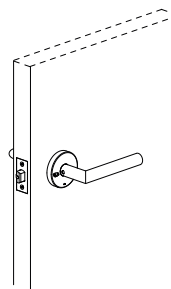
**1**  
- Bores' preparation as per standard ANSI/BHMA A 156.115-W-2006



**3**  
- Insert hold pins (A) in their seats (B), then turn until the lock pin (C) clicks in its seat (D).

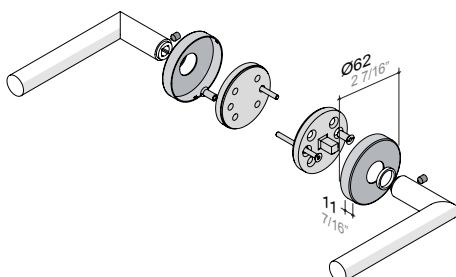


**2**  
- Install the latch and the center supports and fix them with screws.



**4**  
- Fix the levers (F) tightening the grub screws into their seats (E). Cover with

**DUMMY**



**ROSES**

Fixed round roses without a return spring. Inner rose in metal alloy and rose cover in stainless steel AISI 316L. Fixing system patent Block&Roll.

Ø 62mm  
2 7/16"

dummy